

AURAMED CLASSIC MULTI-FUNCTION SERIES

AACH22/AACH24

FEATURES

- Intended for Patient Rooms, Skilled Nursing Facilities, Assisted Living, Clinics, and more
- Provides reading, ambient and exam illumination for the patient room environment
- Optional doorframe and lens provides a flat wipe-down surface for easy cleaning
- Low Voltage Control options provides lighting control interface to a pillow speaker, bed side rail or other low voltage devices
- Grid or Flange installation. Flange installation uses yoke mounting kit (provided)
- This product was Made in America and complies with the Buy American Act requirements



AACH24
(Photo shows AACH without doorframe. Damp location rated)



RELATED PRODUCTS:

- [AuraMed Contempo Multi-Function \(AAOH\)](#)
- [AuraMed Classic Series \(AAC\)](#)
- [AuraMed Classic MRI Series \(AACM\)](#)

SPECIFICATIONS

HOUSING: Fabricated 20 gauge formed cold rolled steel or 16 gauge aluminum housing with continuous seam welds.

FRAME: Optional die formed cold rolled steel or aluminum doorframe. Black neoprene gasket between the housing and doorframe.

LENS: Extruded white polycarbonate lens (smooth side out). Unique clip design allows for tool-free lens removal for ease of maintenance. Optional doorframe is available with a clear polycarbonate or acrylic lens to provide a flat wipe-down surface for easy cleaning.

LED: LED sources available in four color temperatures 3000°K, 3500°K, 4000°K and 5000°K with maximum 3-step MacAdam variation allowance. Other color temperatures available, consult factory. Minimum 80 CRI standard with optional minimum 90 CRI available. Note, the specified color temperature and CRI will be used for all functions.

ELECTRICAL: 0-10V dimming driver available with 10-100% range and 1-100% range for ambient and reading functions. Must specify dimming under options. Optional Low Voltage Controller (LV3 & LVD) provides lighting control interface to a pillow speaker, bed side rail or other low voltage devices. Leads are factory labeled for field installation. Controls and additional accessories by others. If ordered without a Low Voltage Controller, all functions will be on independent line voltage circuits.

FASTENERS: Stainless steel Philips flat head screws with captive cage nuts. Finish to match doorframe.

FINISH: Matte white antimicrobial powder coat finish following multistage iron phosphate pre-treatment on all exposed room-side surfaces.

INSTALLATION: Grid or Flange installation. Grid installation compatible with 1-1/2" and 15/16" Grid systems. Flange installation uses yoke mounting kit (provided). Mounting for custom ceilings available, consult factory.

WARRANTY: Limited five (5) year warranty.

LABEL: Fixture is certified to UL standards by Intertek Testing Laboratories for Wet Location (under covered ceiling) when a doorframe is used.

AURAMED CLASSIC MULTI-FUNCTION SERIES

AACH22/AACH24

ORDERING INFORMATION

EXAMPLE: AACHG24-HC20-OC18/CP12-F3H40-RW-UN-LVD

SERIES	MOUNTING	SIZE*	HOUSING	OPTIONAL FRAME
AACH				

G = Grid

22 = 2x2

HC20 = 20Ga. CRS Painted

Blank = No Frame*

F = Flange

24 = 2x4

HA16 = 16Ga. Alum. Painted

OC18 = Overlap 18Ga. CRS Painted

OAI6 = Overlap 16Ga. Alum. Painted

IC20 = Inset 20Ga. CRS Painted

IA16 = Inset 16Ga. Alum. Painted

*Nominal Size. Dimensional Data on Page 5.

*If no frame is specified, do not select a frame lens. Damp location rated without a doorframe.

FRAME LENS	FUNCTION*	COLOR TEMP.*	DIFFUSER	VOLTAGE
			RW	

Blank = No Frame Lens*

F2 = 2 Functions (Ambient & Exam)

30 = 3000°K

RW = White Polycarbonate 12 = 120V

CP12 = .125 Clear Poly.

F3 = 3 Functions (Reading, Ambient & Exam)

35 = 3500°K

27 = 277V

CA12 = .125 Clear Acrylic

FSD = Step Dimming Functions (30-70-100%)**

40 = 4000°K

UN = Universal

CP18 = .187 Clear Poly.

50 = 5000°K

(120V-277V)

CA18 = .187 Clear Acrylic

*Subject to change. Performance Data on Page 3.

*Specified color temp. will be for all functions.

*If no frame is specified, do not select a frame lens.

**Consult factory for different configurations. All LED boards will be illuminated and step dimmed at specified levels. Cannot be used with additional dimming or control systems

DIMMING/CONTROL	OPTIONS	ACCESSORY

Blank = No Dimming/Control (Leave blank when FSD is specified)*

FZ1 = Fuse (120V)

PF = Plaster Frame Kit

DM = 0-10V dimming with 10-100% range

FZ2 = Fuse (277V)

Consult factory for details.

DM1 = 0-10V dimming with 1-100% range

90C = 90CRI

EL1 = Remote Emergency Battery (10W)*

LV3 = Independent Load Dimming Low Voltage Controller**

TH = Torx Head Screws (with center pin reject)*

EL2 = Remote Emergency Battery (20W)*

LVD = Multi-load Dimming Low Voltage Controller**

*Provided with test switch on a wall plate unless otherwise specified. Requires unswitched line.

*If no control system (and FSD is not specified), all functions will be on independent line voltage circuits.

*Only applicable when doorframe is selected

**Click [here](#) for more information. Provides control of lighting from a pillow speaker, bedside rail or wall switch.

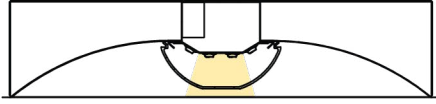
AURAMED CLASSIC MULTI-FUNCTION

AACH22/AACH24



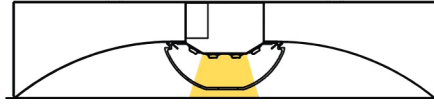
FUNCTIONALITY

*Below configuration is an example of a 3 function fixture (F3L). Light levels are achieved when functions are used in conjunction with one another. Note, Step Dimming (FSD) will illuminate all LED boards and will be step dimmed to achieve specified light levels.



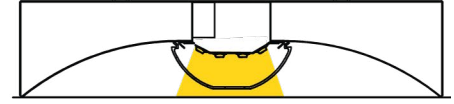
READING

Portion of inner LED boards are illuminated to achieve specified reading light levels



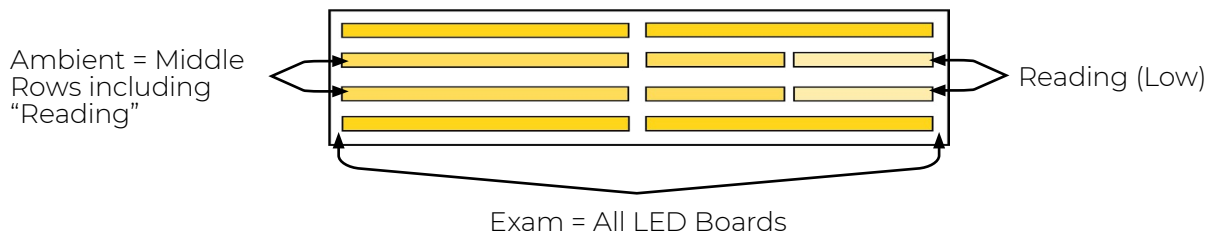
AMBIENT

Inner LED boards are illuminated to achieve ambient light levels (reading + ambient)



EXAM

All LED boards are illuminated to achieve exam light levels (reading + ambient + exam)



PERFORMANCE DATA*

*Data is with 80 CRI chip. If 90 CRI is selected, delivered lumens reduced by 10-15%. LEDs are frequently updated therefore values may change without notice.

MODEL	FUNCTION	OUTPUT	COLOR TEMP.	LUMENS DELIVERED	EFFICACY (lm/W)	INPUT POWER (W)
AACH22	F2 = Ambient & Exam	Ambient	30 = 3000K	2450	98	25
			35 = 3500K	2575	103	25
			40 = 4000K	2650	106	25
			50 = 5000K	2725	109	25
		Exam = All LED boards	30 = 3000K	4750	95	50
			35 = 3500K	5000	100	50
			40 = 4000K	5150	103	50
			50 = 5000K	5300	106	50
	F3 = Reading, Ambient, Exam	Reading	30 = 3000K	1250	100	12.5
			35 = 3500K	1313	105	12.5
			40 = 4000K	1350	108	12.5
			50 = 5000K	1388	111	12.5
		Ambient = Reading + Ambient	30 = 3000K	2450	98	25
			35 = 3500K	2575	103	25
			40 = 4000K	2650	106	25
			50 = 5000K	2725	109	25
Exam = All LED boards	30 = 3000K	4750	95	50		
	35 = 3500K	5000	100	50		
	40 = 4000K	5150	103	50		
	50 = 5000K	5300	106	50		

This product was Made in America and complies with the Buy American Act requirements. Specifications and dimensions are subject to change without notice. For additional options and dimensional details, please consult your New Star Lighting representative.

AURAMED CLASSIC MULTI-FUNCTION

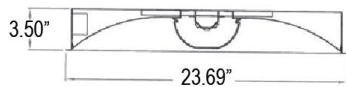
AACH22/AACH24



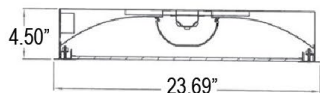
PERFORMANCE DATA CONT.

AACH24	F2 = Ambient & Exam	Ambient	30 = 3000K	5450	109	50
			35 = 3500K	5700	114	50
			40 = 4000K	5850	117	50
			50 = 5000K	6000	120	50
		Exam = All LED boards	30 = 3000K	10600	106	100
			35 = 3500K	11100	111	100
			40 = 4000K	11400	114	100
			50 = 5000K	11700	117	100
	F3 = Reading, Ambient, Exam	Reading	30 = 3000K	2625	105	25
			35 = 3500K	2750	110	25
			40 = 4000K	2826	113	25
			50 = 5000K	2900	116	25
		Ambient = Reading + Ambient	30 = 3000K	5400	108	50
			35 = 3500K	5650	113	50
			40 = 4000K	5850	117	50
			50 = 5000K	6000	120	50
		Exam = All LED boards	30 = 3000K	10600	106	100
			35 = 3500K	11100	111	100
			40 = 4000K	11400	114	100
			50 = 5000K	11800	118	100

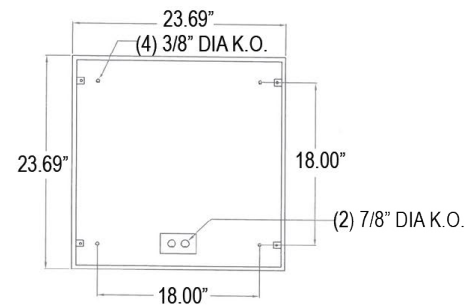
DIMENSIONAL DATA



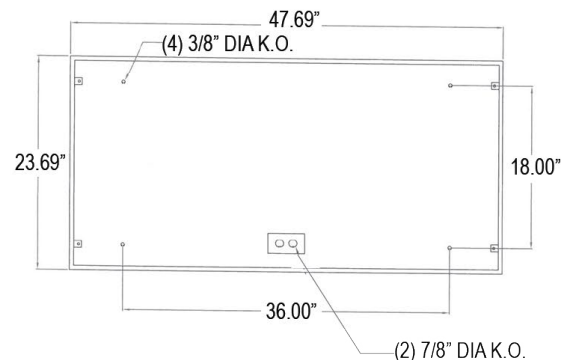
Cross Section Without Door



Cross Section With Door



AAC22 Backview



AAC24 Backview

This product was Made in America and complies with the Buy American Act requirements. Specifications and dimensions are subject to change without notice. For additional options and dimensional details, please consult your New Star Lighting representative.