

AURAMED CLASSIC HIGH ABUSE

AATB14/AATB22/AATB24

FEATURES:

- Intended for Behavioral Health settings or areas where liability risk is a concern, High Abuse/Vandal Resistant settings, Healthcare, Schools/Universities, Cleanrooms, and more
- Available in a 1x4, 2x2, 2x4
- Provides ambient lighting
- Tamper-resistant screws and exclusive hold-down brackets for maximum strength
- Fixture is certified to UL standards for Wet Location under covered ceiling. IP65 rating. Meets ISO 3/Class 1 Cleanrooms.
- This product was Made in America and complies with the Buy American Act requirements



AATB22



SPECIFICATIONS

CONSTRUCTION: Cold rolled steel or stainless steel housing available in 14 gauge, 16 gauge or 18 gauge. Overlapping frame available in cold rolled steel or stainless steel. Gauge to match housing. Frame secured to housing via tamper-resistant screws for maximum strength.

LENS: Extruded white polycarbonate inner diffuser with a clear polycarbonate outer frame lens. Frame lens provides a flat wipe-down surface for easy cleaning. Lens secured with exclusive hold-down brackets for additional security.

LED: Available in four color temperatures 3000°K, 3500°K, 4000°K and 5000°K with maximum 3-step MacAdam variation allowance. Other color temperatures available, consult factory. Minimum 80 CRI standard with optional minimum 90 CRI available.

ELECTRICAL: 0-10V dimming available with 10-100% range and 1-100% range. Must specify dimming under options.

FASTENERS: Torx Head tamper resistant screws with center pin reject.

FINISH: Matte white antimicrobial powder coat finish on exposed surfaces following multistage iron phosphate pre-treatment.

GASKET: Closed cell EPDM and closed cell silicone gaskets prevent air contaminations from entering the fixture. Gasketing seals lens to doorframe and doorframe to housing

INSTALLATION: Recessed mounting accommodates Grid and Flange installations. Recessed fixtures will be supplied with adjustable swing arms that can be used for Flange applications or taped to the side for Grid applications. Recessed install compatible with 1-1/2" and 15/16" Grid systems. Mounting for custom ceilings available, consult factory.

WARRANTY: Limited five (5) year warranty.

LABEL: Fixture is certified to UL standards for Wet Location under covered ceiling. IP65 rating. Meets ISO 3/Class 1 Cleanrooms.

This product was Made in America and complies with the Buy American Act requirements. Specifications and dimensions are subject to change without notice. For additional options and dimensional details, please consult your New Star Lighting representative.

AURAMED CLASSIC HIGH ABUSE

AATB14/AATB22/AATB24

ORDERING INFORMATION

EXAMPLE: AATBR24-HC14/OC-1-HG401C-UN-TH

SERIES	MOUNTING	SIZE*	HOUSING	OVERLAPPING FRAME*	OUTER LENS*
AATB	R				
	R = Recessed (Grid/Flange)	14 = 1x4 22 = 2x2 24 = 2x4	HC14 = 14Ga. CRS Painted HS14 = 14Ga. SS Brushed HP14 = 14Ga. SS Painted HC16 = 16Ga. CRS Painted HS16 = 16Ga. SS Brushed HP16 = 16Ga. SS Painted HC18 = 18Ga. CRS Painted HS18 = 18Ga. SS Brushed HP18 = 18Ga. SS Painted	OC = CRS Painted OS = SS Brushed OP = SS Painted *Gauge to match housing	1 = .187 Clear Poly. 2 = .250 Clear Poly. 3 = .375 Clear Poly. *Inner diffuser is a white poly.
		*Nominal Size. Dimensional Data on page 4.			

LUMEN OUTPUT*	COLOR TEMP.	CIRCUITS	VOLTAGE	OPTIONS
				TH -
LW = Low	30 = 3000°K	1C = 1 Circuit	12 = 120V	TH = Torx Head Screws (permanent option)
MD = Medium	35 = 3500°K	2C = 2 Circuits*	27 = 277V	DM = 0-10V dimming with 10-100% range
HG = High	40 = 4000°K		34 = 347V	DM1 = 0-10V dimming with 1-100% range
CL = Custom Lumen Output**	50 = 5000°K	*Refers to inboard/ outboard wiring.	UN = Universal (120V-277V)	90C = 90CRI FZ1 = Fuse (120V) FZ2 = Fuse (277V) SD2 = Step Dimming (50-100%)* SD3 = Step. Dimming (30-70-100%)* LN = LED Night Light**

*Subject to change. Performance Data on page 3.

** Must be specified at time of quote. Must not exceed fixture maximum output.

*Consult factory for 347V. AATB14 requires separate back box (provided). N/A with DM1.

**Only available with LW lumen output. Integrated switch allows light levels at 100%, 70%, 40%, and 10%.

ACCESSORY

EL1 = Remote Emergency Battery (10W)*

EL2 = Remote Emergency Battery (20W)*

*Provided with test switch on a wall plate unless otherwise specified. Requires unswitched line.

This product was Made in America and complies with the Buy American Act requirements. Specifications and dimensions are subject to change without notice. For additional options and dimensional details, please consult your New Star Lighting representative.

AURAMED CLASSIC HIGH ABUSE

AATB14/AATB22/AATB24



PERFORMANCE DATA*

*LEDs are frequently updated therefore values may change without notice.

MODEL	OUTPUT	COLOR TEMP.	LUMENS DELIVERED	EFFICACY (lm/W)	INPUT POWER (W)
AATB14	LW = Low	30 = 3000°K	5700	114	50
		35 = 3500°K	5950	119	50
		40 = 4000°K	6100	122	50
		50 = 5000°K	6250	125	50
	MD = Medium	30 = 3000°K	8175	109	75
		35 = 3500°K	8550	114	75
		40 = 4000°K	8775	117	75
		50 = 5000°K	9000	120	75
	HG = High	30 = 3000°K	11100	111	100
		35 = 3500°K	11600	116	100
		40 = 4000°K	11900	119	100
		50 = 5000°K	12200	122	100
AATB22	LW = Low	30 = 3000°K	2550	102	25
		35 = 3500°K	2675	107	25
		40 = 4000°K	2750	110	25
		50 = 5000°K	2825	113	25
	MD = Medium	30 = 3000°K	3800	100	38
		35 = 3500°K	3990	105	38
		40 = 4000°K	4100	108	38
		50 = 5000°K	4220	111	38
	HG = High	30 = 3000°K	4900	98	50
		35 = 3500°K	5150	103	50
		40 = 4000°K	5300	106	50
		50 = 5000°K	5450	109	50
AATB24	LW = Low	30 = 3000°K	5700	114	50
		35 = 3500°K	5950	119	50
		40 = 4000°K	6100	122	50
		50 = 5000°K	6250	125	50
	MD = Medium	30 = 3000°K	8175	109	75
		35 = 3500°K	8550	114	75
		40 = 4000°K	8775	117	75
		50 = 5000°K	9000	120	75
	HG = High	30 = 3000°K	11100	111	100
		35 = 3500°K	11600	116	100
		40 = 4000°K	11900	119	100
		50 = 5000°K	12200	122	100

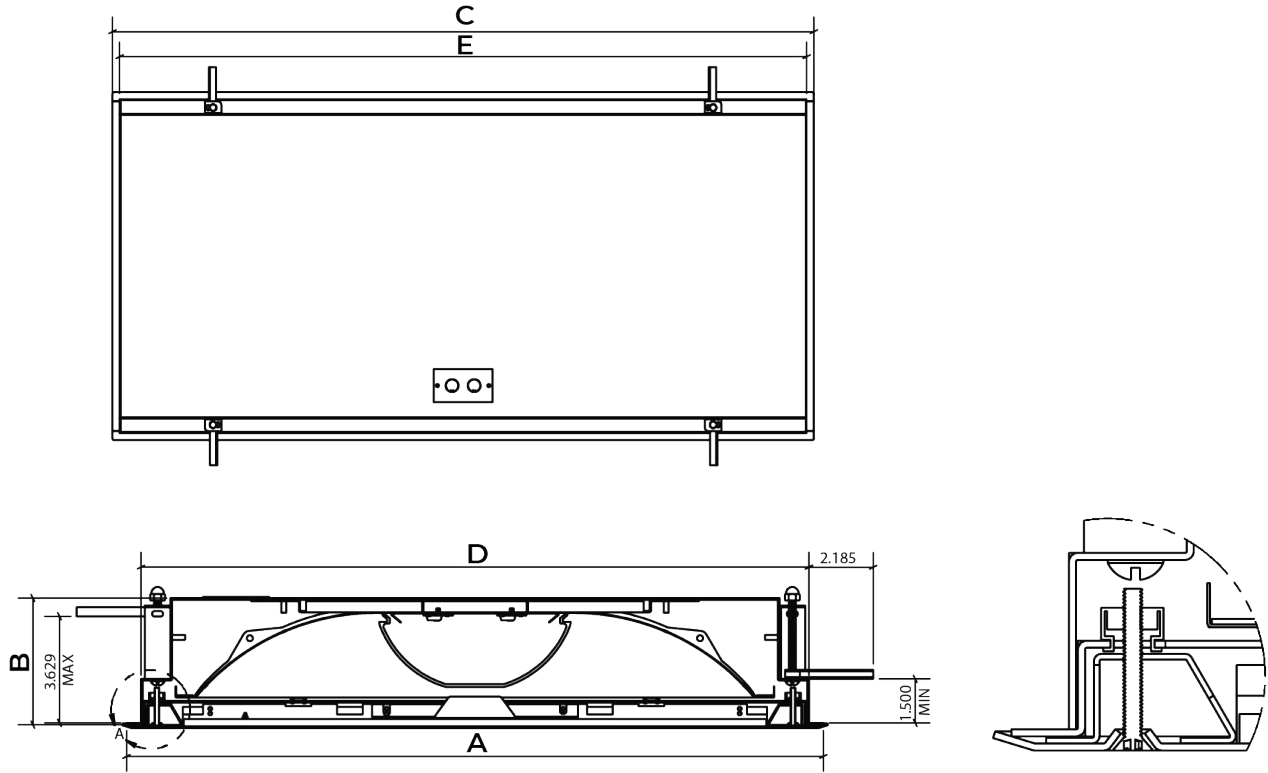
This product was Made in America and complies with the Buy American Act requirements. Specifications and dimensions are subject to change without notice. For additional options and dimensional details, please consult your New Star Lighting representative.

AURAMED CLASSIC HIGH ABUSE

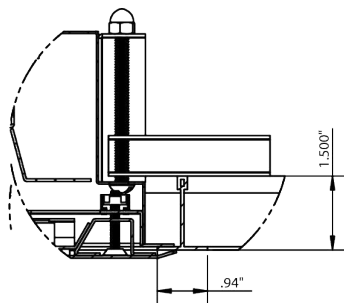
AATB14/AATB22/AATB24



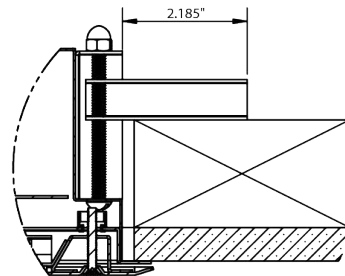
DIMENSIONAL DATA



MODEL	FLANGE WIDTH	DEPTH	FLANGE LENGTH	HOUSING WIDTH	HOUSING LENGTH
	A	B	C	D	E
AATB14	11.69	4.31	47.69	10.71	46.71
AATB22	23.69	4.31	23.69	22.71	22.71
AATB24	23.69	4.31	47.69	22.71	46.71



AATR (W/ OC FRAME) RECESSED GRID



AATR (W/ OC FRAME) RECESSED FLANGE

RECOMMENDED CEILING CUT OUTS:

AATR22: 22.88" X 22.88"
 AATR24: 22.88" X 46.88"

This product was Made in America and complies with the Buy American Act requirements. Specifications and dimensions are subject to change without notice. For additional options and dimensional details, please consult your New Star Lighting representative.