

ACADEMY SERIES

*PRELIMINARY CUT SHEET

PROJECT: _____
 TYPE: _____
 PRODUCT: _____
 APPROVED BY: _____

PRODUCT FEATURES

- Intended for Schools, Universities, Learning Environments, Public Spaces and more
- Economy architectural linear with contemporary design enhances visual appeal
- Available in Narrow and Wide, 2ft and 4ft
- Toolless access to for easy maintenance
- Suitable for damp locations installations
- This product is Made in America and complies with the Buy American Act (BAA)



ACD



ORDERING INFORMATION

Example: ACD2W-L235-1C-UN-WH

ACD				
Series	Nominal Size 2 = 2ft 4 = 4ft *Nominal size. Dimensional data on Page 2.	Style W = Wide N = Narrow	Lumen Output L1 = Low L2 = Standard L3 = Medium L4 = High CL = Custom Lumens* *Must be specified at time of quote and cannot exceed maximum output.	Color Temp. 30 = 3000K 35 = 3500K 40 = 4000K 50 = 5000K

Circuits 1C = 1 Circuit	Voltage 12 = 120V 27 = 277V UN = Universal (120V-277V)	Finish WH = White CC = Custom Color* *Must specify RAL number at time of order. Subject to setup fees.	Options EL1 = Emergency Battery LED Low (10W)* EL2 = Emergency Battery LED High (20W)* FZ1 = Fuse (120V) FZ2 = Fuse (277V) OC = Occupancy Sensor** PM = Pendant Mount*** RW = Row Mount**** *N/A with 2ft. If stored, batteries should be fully recharged every six months and kept between 0°C-25°C to maintain optimal battery capacity. **Provided on independent circuit. ***Stems and hardware by others. ****Requires joiner hardware supplied with fixture. Sealant by others.
-----------------------------------	--	--	---

SPECIFICATIONS

HOUSING: 20-Gauge cold rolled steel housing.

LENS: Linear ribbed white polycarbonate lens facilitates superior diffusion.

LED: Available in four white color temperatures 3000K, 3500K, 4000K, and 5000K with maximum 3-step MacAdam variation allowance. Other color temperatures available, consult factory. Minimum 80 CRI standard.

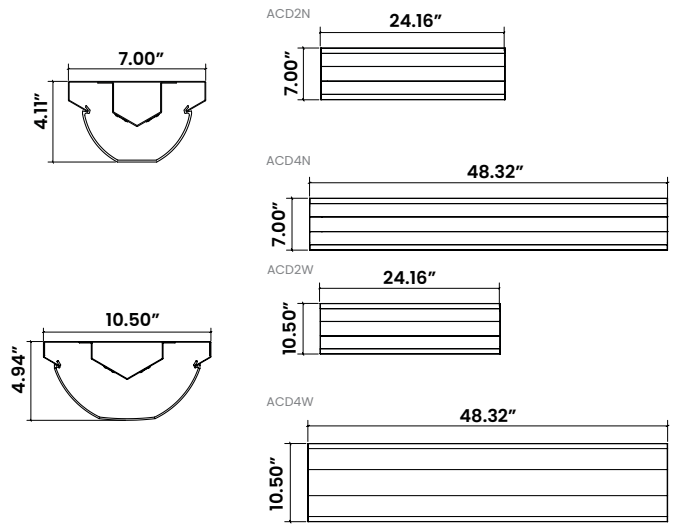
ELECTRICAL: 0-10V dimming with 1-100% range.

FINISH: White polyester power coat finish following multistage iron phosphate pretreatment standard. Custom colors available.

INSTALLATION: Surface mount installation standard. Optional pendant mount and row mount available.

LABEL: Fixture is certified to UL standards by Intertek Testing Laboratory for Damp Location. This product is Made in America and complies with the Buy American Act (BAA) requirements.

DIMENSIONAL DATA



PERFORMANCE DATA

*LEDs are frequently updated therefore values may change without notice.

MODEL	OUTPUT	LUMENS DELIVERED	EFFICACY (lm/w)	INPUT POWER
ACD2W	L1	1625	125	13
	L2	3125	125	25
	L3	4750	125	38
	L4	6250	125	50
ACD4W	L1	3175	125	25
	L2	6250	125	50
	L3	9375	125	75
	L4	12500	125	100
ACD2N	L1	1625	125	13
	L2	3125	125	25
	L3	4750	125	38
	L4	6250	125	50
ACD4N	L1	3125	125	25
	L2	6250	125	50
	L3	9375	125	75
	L4	12500	125	100