

PROJECT: _____
 TYPE: _____
 PRODUCT: _____
 APPROVED BY: _____

PRODUCT FEATURES

- Intended for healthcare applications including Patient Rooms, Exam Rooms, Nurses’ Stations, Intake Lobbies and more
- Available in a 1x4, 2x2, 2x4
- Provides ambient lighting
- Tamper-resistant Torx® fasteners with center pin reject
- Fixture is certified to UL standards for Wet Location under covered ceiling. IP65 rating. Meets ISO 3/Class 1 Cleanrooms
- This product was Made in America and complies with the Buy American Act requirements



AATB

ORDERING INFORMATION

Example: AATBR24-HC14/OC-1-HG401C-UN-TH



AATB	R				
Series	Mounting R = Recessed (Grid/Flange)	Nominal Size* 14 = 1 x 4 ✓ 22 = 2 x 2 ✓ 24 = 2 x 4 ✓ *Nominal Size. Dimensional Data on Page 2.	Housing HC14 = 14Ga. CRS Painted HS14 = 14Ga. SS Brushed HP14 = 14Ga. SS Painted HC16 = 16Ga. CRS Painted ✓ HS16 = 16Ga. SS Brushed ✓ HP16 = 16Ga. SS Painted ✓ HC18 = 18Ga. CRS Painted HS18 = 18Ga. SS Brushed HP18 = 18Ga. SS Painted	Overlapping Frame* OC = CRS Painted ✓ OS = SS Brushed ✓ OP = SS Painted ✓ *Gauge to match housing	Outer Lens* 1 = .187 Clear Poly. 2 = .250 Clear Poly. ✓ 3 = .375 Clear Poly. *Inner diffuser is a white poly.

Lumen Output* LW = Low MD = Medium HG = High CL = Custom Lumen Output** *Subject to change. Performance Data on page 3. ** Must be specified at time of quote. Must not exceed fixture maximum output.	Color Temp. 30 = 3000K 35 = 3500K 40 = 4000K 50 = 5000K	Circuits 1C = 1 Circuit 2C = 1 Circuits* *Refers to inboard/ outboard wiring.	Voltage 12 = 120V 27 = 277V 34 = 347V UN = 277V (120-277V)	Options DM = 0-10V dimming with 10-100% range DM1 = 0-10V dimming with 1-100% range 90C = 90CRI FZ1 = Fuse (120V) FZ2 = Fuse (277V) SD2 = Step Dimming (50-100%)* SD3 = Step Dimming (30-70-100%)* LN = LED Night Light** *Consult factory for 347V. AATB14 requires separate back box (provided). N/A with DM1. **Only available with LW lumen output. Integrated switch allows light levels at 100%, 70%, 40%, and 10%	Accessory EL1 = Remote Emerg. Batt. (10W)* EL2 = Remote Emerg. Batt. (20W)* *Provided with test switch on a wall plate unless otherwise specified. Requires unswitched line.
---	--	---	---	---	--

Indicates the product configuration meets the published guidelines by the State of New York for behavioral health applications. Find out more by visiting the [New York State Office of Mental Health's website](#).

SPECIFICATIONS

CONSTRUCTION: Cold rolled steel or stainless steel housing available in 14 gauge, 16 gauge or 18 gauge. Overlapping frame available in cold rolled steel or stainless steel. Gauge to match housing. Frame secured to housing via tamper-resistant screws for maximum strength.

LENS: Extruded white polycarbonate inner diffuser with a clear polycarbonate outer frame lens. Frame lens provides a flat wipe-down surface for easy cleaning. Lens secured with exclusive hold-down brackets for additional security.

LED: Available in four color temperatures 3000K, 3500K, 4000K and 5000°K with maximum 3-step MacAdam variation allowance. Other color temperatures available, consult factory. Minimum 80 CRI standard with optional minimum 90 CRI available.

DRIVER: 0-10V dimming available with 10-100% range and 1-100% range. Must specify dimming under options.

FASTENERS: Tamper-resistant Torx® head fasteners.

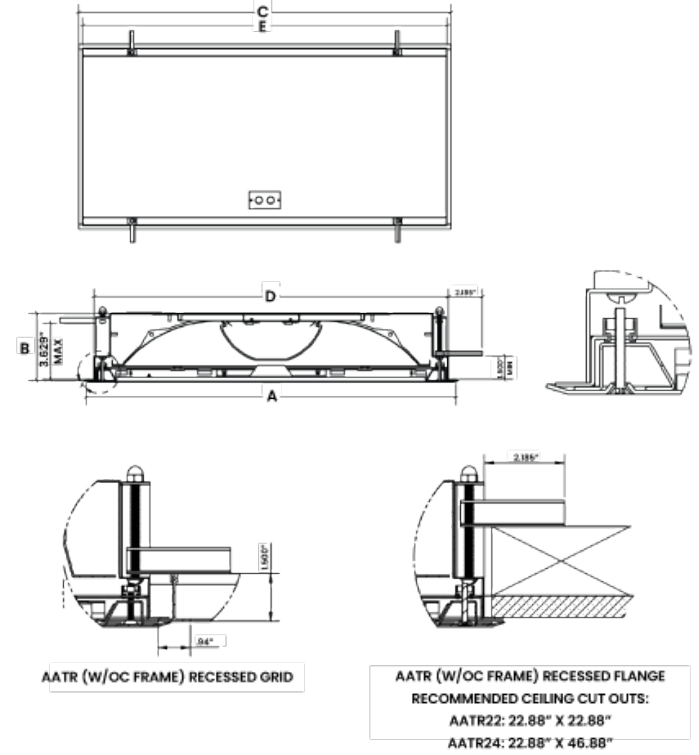
GASKET: Closed cell EPDM and closed cell silicone gaskets prevent air contaminations from entering the fixture. Gasketing seals lens to doorframe and doorframe to housing

INSTALLATION: Recessed mounting accommodates Grid and Flange installations. Recessed fixtures will be supplied with adjustable swing arms that can be used for Flange applications or taped to the side for Grid applications. Recessed install compatible with 1-1/2" and 15/16" Grid systems. Mounting for custom ceilings available, consult factory.

LABEL: Fixture is certified to UL standards by Intertek Testing Laboratory for Wet Locations. IP65 rating. Meets ISO 3/Class 1 Cleanrooms. IK10 Listed per IEC 60068-2-75: 2014.

*Exclusions to the New Star Promise are gunfire and chemical reactions

DIMENSIONAL DATA



MODEL	FLANGE WIDTH	DEPTH	FLANGE LENGTH	HOUSING WIDTH	HOUSING LENGTH
	A	B	C	D	E
AATB14	11.69	4.31	47.69	10.71	46.71
AATB22	23.69	4.31	23.69	22.71	22.71
AATB24	23.69	4.31	47.69	22.71	46.71



The DuraCare Behavioral Health Classic High Abuse Series is covered by our New Star Promise.

Our promise means we will repair or replace any of our High Abuse or Vandal Resistant achirctectural luminaires when installed according to our instructions for the life of the original installation if the fixture should faile due to physical abuse.*



New Star Lighting
 2225 W Pershing Rd, Chicago, IL 60609
 (773) 847-1400
 www.newstarlighting.com

Specifications and dimensions are subject to change without notice. For additional options and dimensional details, please consult your New Star Lighting representative.

© 2024, New Star Lighting. All rights reserved. Unauthorized duplication or distribution is prohibited.

PERFORMANCE DATA

*LEDs are frequently updated therefore values may change without notice.

MODEL	OUTPUT	COLOR TEMP.	LUMENS DELIVERED	EFFICACY (lm/w)	INPUT POWER (W)
AATB14	LW = Low	3000K	5700	114	50
		3500K	5950	119	50
		4000K	6100	122	50
		5000K	6250	125	50
	MD = Medium	3000K	8175	109	75
		3500K	8550	114	75
		4000K	8775	117	75
		5000K	9000	120	75
	HG = High	3000K	11100	111	100
		3500K	11600	116	100
		4000K	11900	119	100
		5000K	12200	122	100
AATB22	LW = Low	3000K	2550	102	25
		3500K	2675	107	25
		4000K	2750	110	25
		5000K	2825	113	25
	MD = Medium	3000K	3800	100	38
		3500K	3990	105	38
		4000K	4100	108	38
		5000K	4220	111	38
	HG = High	3000K	4900	98	50
		3500K	5150	103	50
		4000K	5300	106	50
		5000K	5450	109	50
AATB24	LW = Low	3000K	5700	114	50
		3500K	5950	119	50
		4000K	6100	122	50
		5000K	6250	125	50
	MD = Medium	3000K	8175	109	75
		3500K	8550	114	75
		4000K	8775	117	75
		5000K	9000	120	75
	HG = High	3000K	11100	111	100
		3500K	11600	116	100
		4000K	11900	119	100
		5000K	12200	122	100



New Star Lighting

2225 W Pershing Rd, Chicago, IL 60609
 (773) 847-1400
www.newstarlighting.com

Specifications and dimensions are subject to change without notice. For additional options and dimensional details, please consult your New Star Lighting representative.

© 2024, New Star Lighting. All rights reserved. Unauthorized duplication or distribution is prohibited.