

PROJECT: _____
 TYPE: _____
 PRODUCT: _____
 APPROVED BY: _____

PRODUCT FEATURES

- Ligature resistant to meet behavioral health industry standards
- 14-Gauge cold rolled steel housing with beveled edges to deflect the force of an impact.
- Two lenses for maximum durability.
- Polyester powder coat following a 5 stage iron phosphate pre-treatment.
- Tamper-resistant Torx® fasteners
- Fixture is certified to UL Standards and suitable for Wet Location.
- This product is Made in America and complies with the Buy American Act (BAA), and the Build America, Buy America Act (BABA)







AGM

ORDERING INFORMATION

Example: AGM-14-12-35



AGM				
Series	Nominal Size 11 = 1x1  14 = 1x4  22 = 2x2  24 = 2x4  *Dimensional Data on page 2.	Voltage 12 = 120V 27 = 277V UN = Universal (120-277V)	Color Temp. 30 = 3000K 35 = 3500K 40 = 4000K 50 = 5000K *Subject to change. Performance data on Page 2.	Options DMI = 0-10V dimming with 1-100% range *If stored, batteries should be fully rechargeable every six months and kept between 0°C-25°C to maintain optimal battery capacity.

 Indicates the product configuration meets the published guidelines by the State of New York for behavioral health applications. Find out more by visiting the [New York State Office of Mental Health's website](#).

SPECIFICATIONS

CONSTRUCTION: 16-Gauge cold rolled steel with extruded aluminum housing and beveled edges to deflect the force of an impact.

LENS: Two lenses provide maximum durability. Interior lens is White Polycarbonate and exterior is .250 Clear Polycarbonate. Lens secured by "Z" rails.

LED: Available in four color temperatures 3000K, 3500K, 4000K and 5000K. Other color temperatures available, consult factory. Standard 0-10V Meanwell dimming driver with 10-100% range.

FASTENERS: Tamper-resistant Torx® head fasteners with center pin reject.

FINISH: White polyester powder coat following a 5 stage iron phosphate pre-treatment.

POWER SUPPLY: LED Driver included.

Input Voltage: AC120V-277V

AGM11: Input Power 18.0W

AGM14: Input Power: 40.0W

AGM22: Input Power: 40.0W

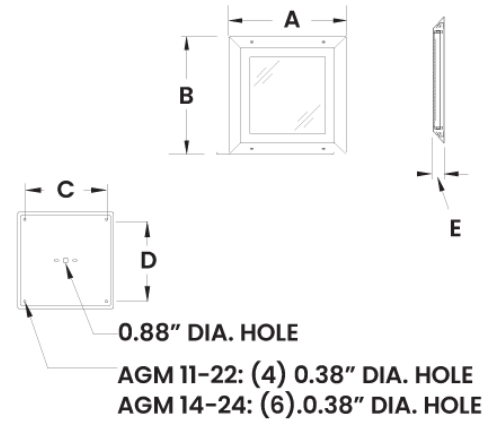
AGM24: Input Power: 80.0W

INSTALLATION: Encased frame allows for quick and easy surface mounting to any ceiling or wall.

WARRANTY: Five (5) year warranty.

LABEL: Fixture is certified to UL standards by Intertek Testing Laboratory for Wet Location installations. IK10 Lister per IEC60068-2-75: 2014.

DIMENSIONAL DATA



	A	B	C	D	E
AGM11	21.00"	17.00"	18.50"	14.50"	1.88"
AGM14	56.94"	17.00"	27.22"	14.50"	1.88"
AGM22	32.81"	28.21"	30.31"	26.30"	1.88"
AGM24	58.00"	29.00"	27.75"	26.50"	1.88"



New Star Lighting

2225 W Pershing Rd, Chicago, IL 60609
 (773) 847-1400
 www.newstarlighting.com

Specifications and dimensions are subject to change without notice. For additional options and dimensional details, please consult your New Star Lighting representative.

© 2024, New Star Lighting. All rights reserved. Unauthorized duplication or distribution is prohibited.

PERFORMANCE DATA

*LEDs are frequently updated therefore values may change without notice.

MODEL	COLOR TEMP.	LUMENS (DELIVERED)	EFFICACY (lm/W)	INPUT POWER (W)
AG11	3000K	1344	74.1	18
	3500K	1350	75	18
	4000K	1400	75.9	18
	5000K	1586	85.7	18
AG14	3000K	3648	93.5	40
	3500K	3786	95	40
	4000K	3800	95.8	40
	5000K	4305	108.2	40
AG22	3000K	3840	96.3	40
	3500K	3900	98	40
	4000K	4000	98.7	40
	5000K	4532	111.5	40
AG24	3000K	6700	80.7	80
	3500K	6850	81.7	80
	4000K	7000	82.7	80
	5000K	7900	93.4	80



New Star Lighting

2225 W Pershing Rd, Chicago, IL 60609
 (773) 847-1400
www.newstarlighting.com

Specifications and dimensions are subject to change without notice. For additional options and dimensional details, please consult your New Star Lighting representative.

© 2024, New Star Lighting. All rights reserved. Unauthorized duplication or distribution is prohibited.