

AURAMED CLASSIC MULTI-FUNCTION HIGH ABUSE AATHR14/AATHR22/AATHR24

FEATURES:

- Intended for Healthcare applications, Patient Rooms, Behavioral settings, settings that require an enclosed fixture for High Abuse/Vandal Resistant settings, and more
- Available in a 1x4, 2x2, 2x4
- Provides reading, ambient and exam illumination
- Low Voltage Control options provides lighting control interface to a pillow speaker, bed side rail or other low voltage devices
- Fixture is certified to UL standards for Wet Location under covered ceiling. IP65 rating. Meets ISO 3/Class 1 Cleanrooms.
- This product was Made in America and complies with the Buy American Act requirements



AATH22



SPECIFICATIONS

CONSTRUCTION: Cold rolled steel or stainless steel housing available in 14 gauge, 16 gauge or 18 gauge. Overlapping frame available in cold rolled steel or stainless steel. Gauge to match housing. Frame secured to housing via tamper-resistant screws for maximum strength.

LENS: Extruded white polycarbonate inner diffuser with a clear polycarbonate outer frame lens. Frame lens provides a flat wipe-down surface for easy cleaning. Lens secured with exclusive LRS (Lens Retention System) hold-down brackets for additional security.

LED: Available in four color temperatures 3000K, 3500K, 4000K and 5000K with maximum 3-step MacAdam variation allowance. Other color temperatures available, consult factory. Minimum 80 CRI standard with optional minimum 90 CRI available. Note, the specified color temperature and CRI will be used for all functions.

ELECTRICAL: 0-10V dimming available with 10-100% range and 1-100% range on Ambient and Reading functions. Must specify dimming under options. Optional Low Voltage Controllers provide lighting control interface to a pillow speaker, bed side rail or other low voltage devices. See spec sheets for additional information. Leads are factory labeled for field installation. Controls and additional accessories by others. If ordered without a control, all functions will be on independent line voltage circuits.

FASTENERS: Torx Head tamper resistant screws with center pin reject.

FINISH: White antimicrobial powder coat finish on exposed surfaces following multistage iron phosphate pre-treatment.

GASKET: Closed cell EPDM and closed cell silicone gaskets prevent air contaminations from entering the fixture. Gasketing seals lens to doorframe and doorframe to housing

INSTALLATION: Recessed mounting accommodates Grid and Flange installations. Recessed fixtures will be supplied with adjustable swing arms that can be used for Flange applications or taped to the side for Grid applications. Recessed install compatible with 1-1/2" and 15/16" Grid systems. Mounting for custom ceilings available, consult factory.

WARRANTY: Limited five (5) year warranty.

LABEL: Fixture is certified to UL standards for Wet Location under covered ceiling. IP65 rating. Meets ISO 3/Class 1 Cleanrooms.

This product was Made in America and complies with the Buy American Act requirements. Specifications and dimensions are subject to change without notice. For additional options and dimensional details, please consult your New Star Lighting representative.

AURAMED CLASSIC MULTI-FUNCTION HIGH ABUSE

AATHR14/AATHR22/AATHR24

ORDERING INFORMATION

EXAMPLE: AATHR24-HC14/OC-1-F340-UN-LV3-TH-DM

SERIES	MOUNTING	SIZE*	HOUSING	FRAME*	OUTER LENS*
AATH	R				
	R = Recessed (Grid/Flange)	14 = 1x4** 22 = 2x2 24 = 2x4	HC14 = 14Ga. CRS Painted HS14 = 14Ga. SS Brushed HP14 = 14Ga. SS Painted HC16 = 16Ga. CRS Painted HS16 = 16Ga. SS Brushed HP16 = 16Ga. SS Painted HC18 = 18Ga. CRS Painted HS18 = 18Ga. SS Brushed HP18 = 18Ga. SS Painted	OC = CRS Painted OS = SS Brushed OP = SS Painted *Overlapping. Gauge to match housing	1 = .187 Clear Poly. 2 = .250 Clear Poly. 3 = .375 Clear Poly. *Inner diffuser is a white poly.
		*Nominal Size. Dimensional Data on page 4. **AAT14 can be used as pairs adjacent to the patient bed. Fixtures quoted and sold individually.			

FUNCTION	COLOR TEMP.*	VOLTAGE	CONTROL
F2 = Ambient & Exam	30 = 3000K	12 = 120V	Blank = Functions on independent circuits
F3 = Reading, Ambient & Exam*	35 = 3500K 40 = 4000K	27 = 277V 34 = 347V	SD2 = 2 Function Step Dimming (50-100%)* SD3 = 3 Function Step Dimming (30-70-100%)*
*Portion of inner LED boards are used for reading function unless SD3 is specified. SD3 illuminates all LED boards.	50 = 5000K	UN = Universal (120V-277V)	LV3 = Independent Load Dimming LVC** LVD = Multi-load Dimming LVC**

*Specified color temp. will be for all functions.

*All LED boards will be illuminated and step dimmed at specified levels. Cannot be used with additional dimming or control system.
 **Click [here](#) for more information. Provides control of lighting from a pillow speaker, bedside rail or wall switch. Leads are factory labeled.

OPTIONS

TH -

- TH = Torx Head Screws (permanent option)
- DM = 0-10V dimming with 10-100% range*
- DM1 = 0-10V dimming with 1-100% range*
- 90C = 90CRI
- FZ1 = Fuse (120V)
- FZ2 = Fuse (277V)
- EL1 = Remote Emergency Battery (10W)*
- EL2 = Remote Emergency Battery (20W)*

*N/A with SD2, SD3

*** If stored, batteries should be fully recharged every six months and kept between 0°C-25°C to maintain optimal battery capacity. AATB14 requires remote emergency battery. Provided with test switch on a wall plate unless otherwise specified. Requires unswitched lines.

AURAMED MULTI-FUNCTION HIGH ABUSE

AATHR14/AATHR22/AATHR24

PERFORMANCE DATA*

*LEDs are frequently updated therefore values may change without notice. Light levels are achieved when functions are used in conjunction with one another. Note, Step Dimming will illuminate all LED boards and will be step dimmed to achieve specified light levels.

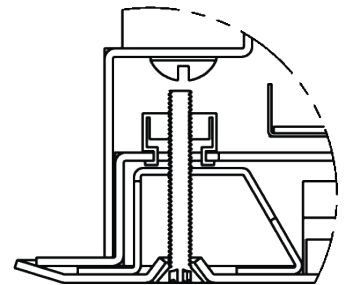
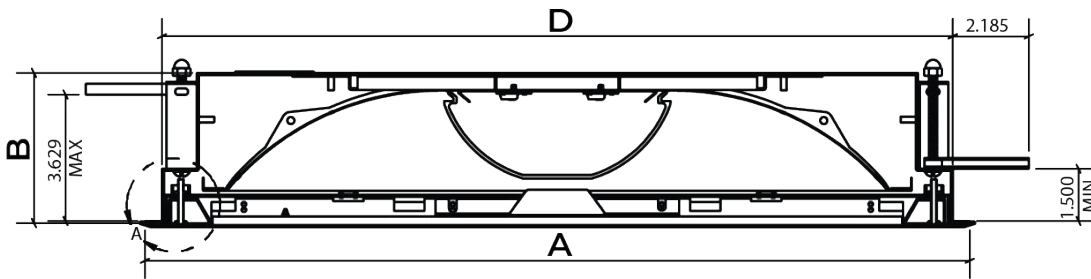
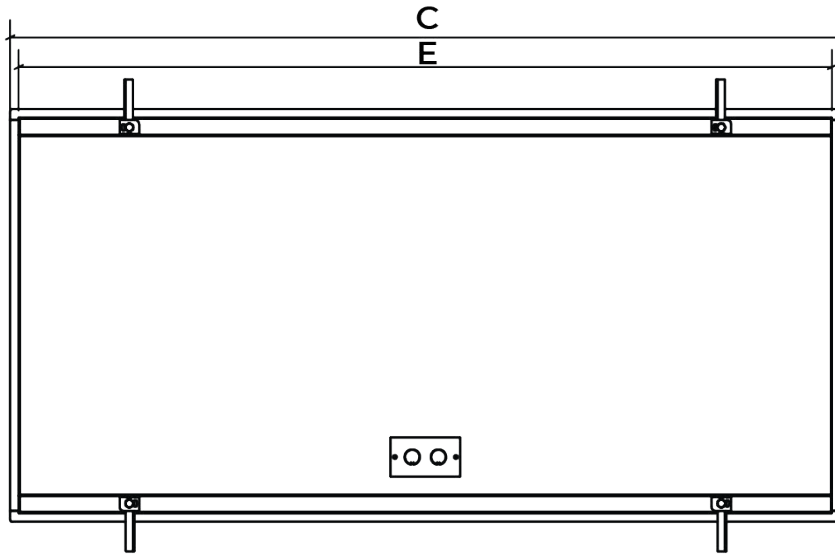
MODEL	FUNCTION	COMPARTMENT	LUMENS DELIVERED	EFFICACY (lm/W)	INPUT POWER (W)
AATH14	F2 = Ambient, Exam	Ambient	4830	97	50
		Exam	9300	93	100
	F3 = Reading, Ambient, Exam	Reading	2500	100	25
		Ambient	4830	97	50
		Exam	9300	93	100
AATH22	F2 = Ambient, Exam	Ambient	2335	93	25
		Exam	4535	91	50
	F3 = Reading, Ambient, Exam	Reading	1202	96	12.5
		Ambient	2335	93	25
		Exam	4535	91	50
AATH24	F2 = Ambient, Exam	Ambient	5100	102	50
		Exam	9860	99	100
	F3 = Reading, Ambient, Exam	Reading	2680	107	25
		Ambient	5100	102	50
		Exam	9860	99	100

This product was Made in America and complies with the Buy American Act requirements. Specifications and dimensions are subject to change without notice. For additional options and dimensional details, please consult your New Star Lighting representative.

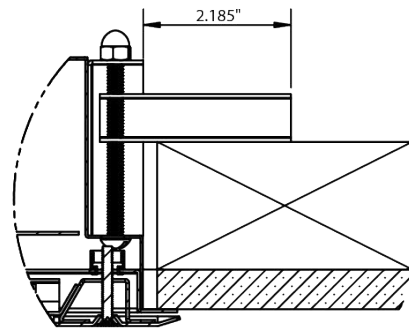
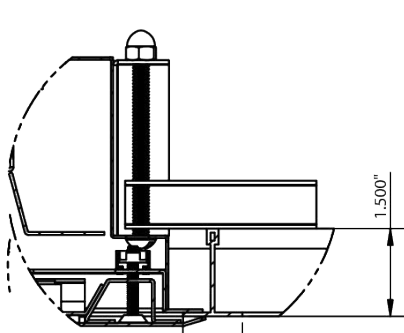
AURAMED MULTI-FUNCTION HIGH ABUSE

AATHR14/AATHR22/AATHR24

DIMENSIONAL DATA



MODEL	FLANGE WIDTH	DEPTH	FLANGE LENGTH	HOUSING WIDTH	HOUSING LENGTH
	A	B	C	D	E
AATB14	11.69	4.31	47.69	10.71	46.71
AATB22	23.69	4.31	23.69	22.71	22.71
AATB24	23.69	4.31	47.69	22.71	46.71



This product was Made in America and complies with the Buy American Act requirements. Specifications and dimensions are subject to change without notice. For additional options and dimensional details, please consult your New Star Lighting representative.