

RUD SERIES LED

RUD1/RUD2/RUD4

SPECIFICATION FEATURES

HOUSING: Die formed, seam welded, and ground smooth cold rolled steel or stainless steel clamshell design. Incorporates a removable reflector unitized with all electrical components for easy installation and maintenance. Rounded housing shape designed to withstand physical abuse.

BACKPLATE: Die formed with contraband drop slot and embossed mounting holes (material to match housing). Security caulking between ceiling and fixture is not required with this backplate design.

HINGE: 16 gauge full length continuous, staked piano hinge with welded ends to prevent removal (material to match housing).

LENS: Outer and Inner lens options secured by "Z" retainers with weld studs spaced six inches apart for maximum strength.

LED: Available in three color temperatures 3500°K, 4000°K and 5000°K with maximum 3-step MacAdam variation allowance. Other color temperatures available, consult factory. Minimum 80 CRI standard. 0-10V dimming available with 10-100% range and 1-100% range. Must specify dimming under options.

FASTENERS: Tamper resistant countersunk flat head Torx screws with center pin reject.

FINISH: White powder coat finish following multistage iron phosphate pre-treatment.



APPLICATIONS: Minimum to Maximum Confinement, Psychiatric Wards, Public Housing, Detention Centers, Transportation, Athletic Facilities, and more.

MOUNTING: Surface wall installation.

LABEL: Fixture is certified for Wet Locations (under covered ceilings) to UL standards by Intertek Testing Laboratories.



ORDERING INFORMATION

Example: RUD2-B-LA401C-4/LC3-UN

SERIES	SIZE	HOUSING	LUMEN OUTPUT*	COLOR TEMP.	CIRCUITS
RUD	1 = 1ft** 2 = 2ft 4 = 4ft	B = 14Ga. CRS Painted C = 16Ga. CRS Painted D = 18Ga. CRS Painted E = 14Ga. SS Brushed F = 16Ga. SS Brushed G = 18Ga. SS Brushed H = 14Ga. SS Painted J = 16Ga. SS Painted K = 18Ga. SS Painted	LA = 1 Up/1 Down** LB = 1 Up/2Down LC = 2 Up/2 Down LD = 2 Up/1 Down LE = 0 Up/1 Down** LF = 1 Up/0 Down**	35 = 3500°K 40 = 4000°K 50 = 5000°K	1C = 1 Circuit 2C = 2 Circuits*
*Nominal Size. Dimensional Data on Page 2				*Select 2C for Up/Down compartments to be independently circuited/controlled	
**RUD1 is only available with LA, LE and LF lumen output options.				*Subject to change. Performance Data on Page 2 ** Available with RUD1	

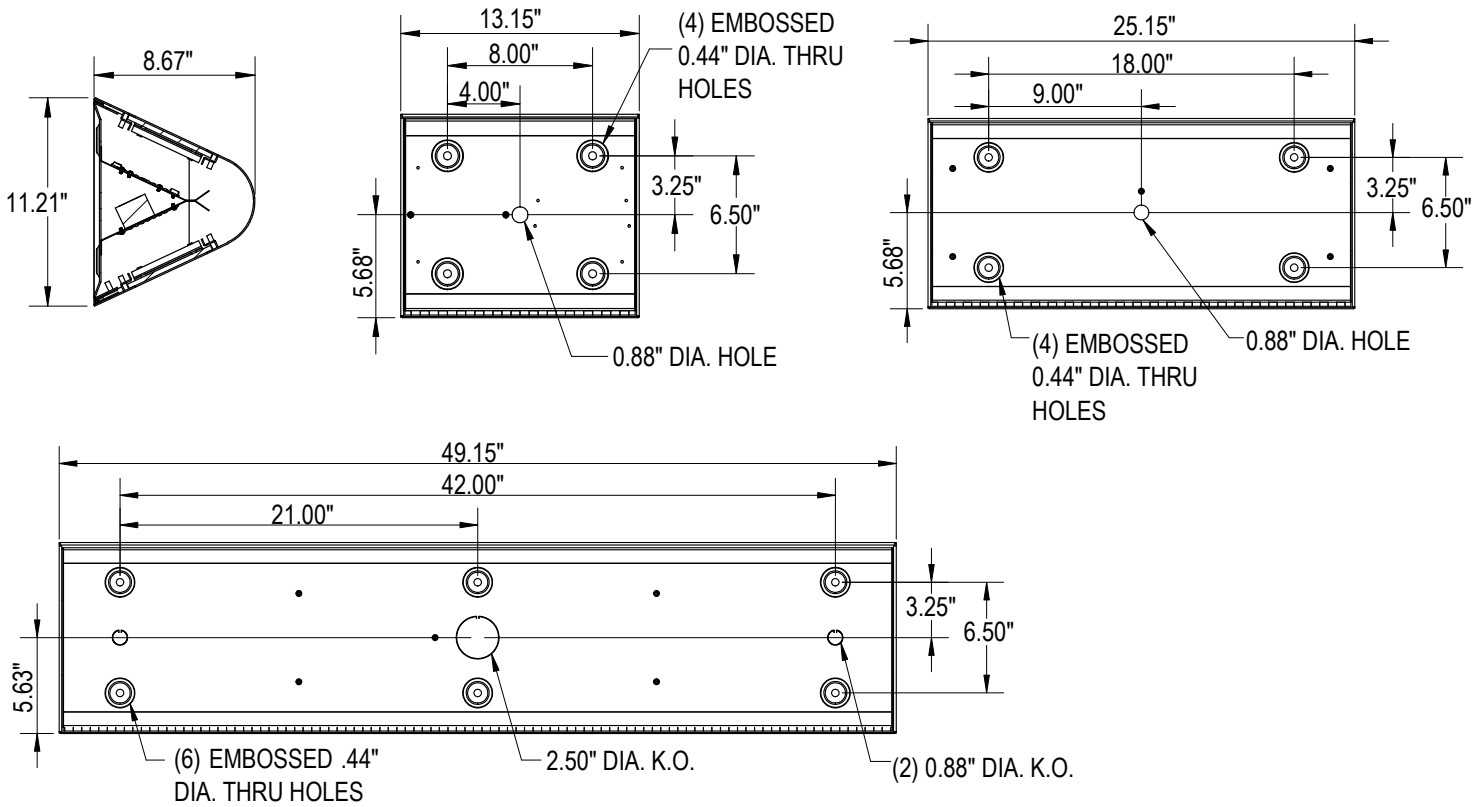
OUTER LENS	INNER LENS	VOLTAGE	OPTIONS
0 = No Lens A = .125 Clear Poly. B = .156 Clear Poly. 1 = .187 Clear Poly. 2 = .250 Clear Poly. 3 = .375 Clear Poly. 4 = .500 Clear Poly. 5 = .187 Clear Temp Glass 6 = .250 Clear Temp Glass 7 = .375 Clear Temp Glass* 8 = .500 Clear Temp Glass* 9 = .750 Clear Temp Glass*	A = .125 Prismatic Acrylic B = .125 Prismatic Poly. C = .156 Prismatic Poly. D = .187 Prismatic Poly. E = .156 Prismatic Temp Glass F = .156 Prismatic Acrylic G = .140 DR Acrylic LC3 = .125 White Frosted Poly.	12 = 120V 27 = 277V 34 = 347V UN = Universal (120V-277V)	DM = 0-10V dimming with 10-100% range DM1 = 0-10V dimming with 1-100% range FZ1 = Fuse (120V) FZ2 = Fuse (277V) LN = LED Night Light* EL1 = Emerg. Bat. LED Low** EL2 = Emerg. Bat. LED High** CEL1 = CA Title 24 Emerg. Batt LED*** UV = .005 UV Absorbing Overlay AH = Allen Head screws with center pin reject SL = Flush Button Switch on Left (120V only) SR = Flush Button Switch on Right (120V only)

*Only available with 14Ga

Notes:
Specifications and Dimensions are subject to change without notice.
For additional options and dimensional details please consult your New Star Lighting Representative. battery may need to be remote

* Integrated switch allows light levels at 100%, 70%, 40% and 10%.
**If stored, batteries should be fully recharged every six months and kept between 0°C-25°C to maintain optimal battery capacity.
*** Consult factory for options. Depending on options specified,

DIMENSIONAL DATA



PERFORMANCE DATA

MODEL	OUTPUT	LAMP TYPE	LUMENS DELIVERED	EFFICACY (lm/W)	INPUT POWER (W)
RUD1	LA = 1 Up/1 Down	4000°K	4000	87	46
	LE = 0 Up/1 Down	4000°K	2000	87	23
	LF = 1 Up/0 Down	4000°K	2000	87	23
RUD2	LA = 1 Up/1 Down	4000°K	2750	110	25
	LB = 1 Up/2 Down	4000°K	4125	110	37.5
	LC = 2 Up/2 Down	4000°K	5500	110	50
	LD = 2 Up/1 Down	4000°K	4125	110	37.5
	LE = 0 Up/1 Down	4000°K	1375	110	12.5
	LF = 1 Up/0 Down	4000°K	1375	110	12.5
RUD4	LA = 1 Up/1 Down	4000°K	5500	110	50
	LB = 1 Up/2 Down	4000°K	8250	110	75
	LC = 2 Up/2 Down	4000°K	11000	110	100
	LD = 2 Up/1 Down	4000°K	8250	110	75
	LE = 0 Up/1 Down	4000°K	2750	110	25
	LF = 1 Up/0 Down	4000°K	2750	110	25

LEDs are frequently updated therefore values may change without notice.
 Visit www.newstarlighting.com for additional information and IES files.