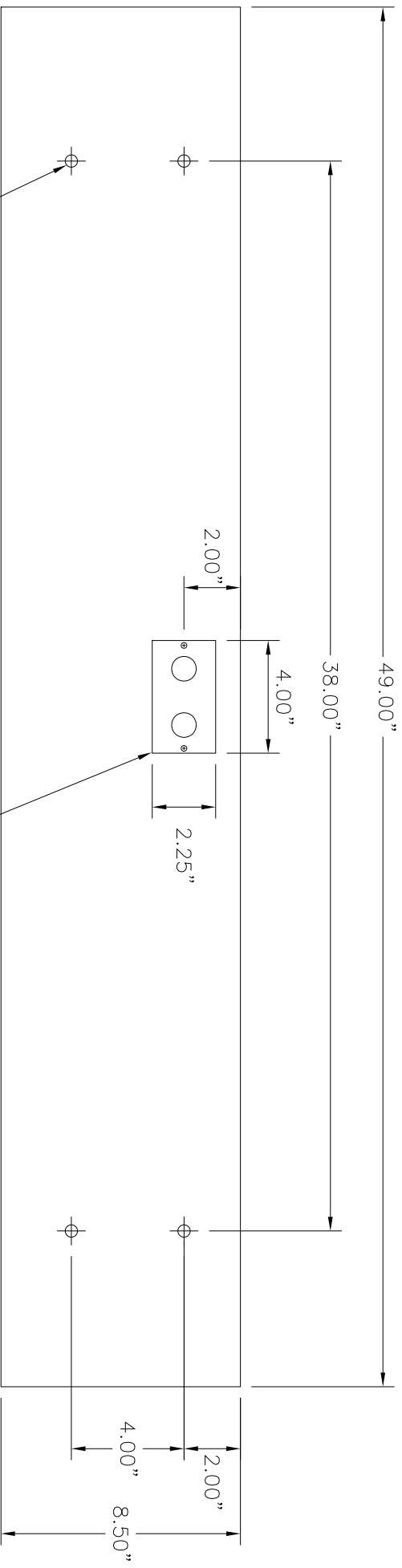


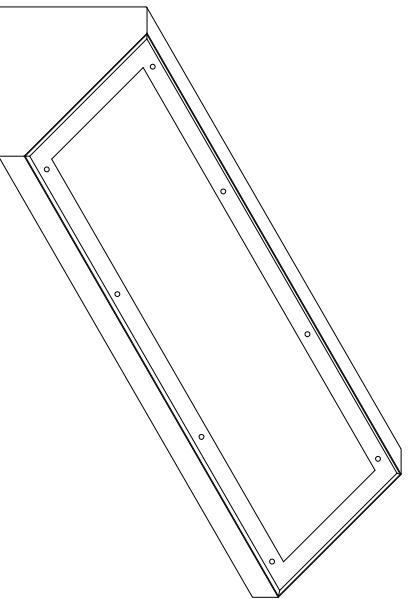
SCC14 INSTALLATION INSTRUCTIONS



(4) .437 DIA. HOLES

REMOVABLE COVER (ON BACK);
GASKETED TO HOUSING WITH
(2) 7/8" DIA. K.O.'S

WARNING: DISCONNECT POWER BEFORE STARTING INSTALLATION OR SERVICING LUMINAIRE



- 1) REMOVE DOOR FRAME BY REMOVING #8 SCREWS LOCATED ON EACH SIDE ON TOP OF DOOR.
- 2) REMOVE REFLECTOR BY REMOVING #8 SCREWS LOCATED NEAR EACH END OF REFLECTOR.
- 3) REMOVE DESIRED KNOCKOUT AND MOUNT FIXTURE OVER RECESSED J-BOX. DO NOT MOUNT FIXTURE DIRECTLY TO J-BOX.
- 4) MOUNT FIXTURE HOUSING TO SURFACE USING APPROPRIATE HARDWARE IN ALL FOUR HOLE LOCATIONS (HARDWARE SUPPLIED BY OTHERS)
- 5) CONNECT LEAD AND GROUND WIRES IN J-BOX, NOT INSIDE THE FIXTURE. TO BE DONE BY A QUALIFIED ELECTRICIAN ONLY
- 6) REINSTALL REFLECTOR
- 7) CLOSE DOOR FRAME AND SECURE TO HOUSING USING #8 SCREWS
- 8) CAULK WHERE NEEDED TO SEAL UNIT FROM UNIQUE SURFACE CONDITIONS
- 9) WET LOCATION RATED FOR COVERED CEILING ONLY