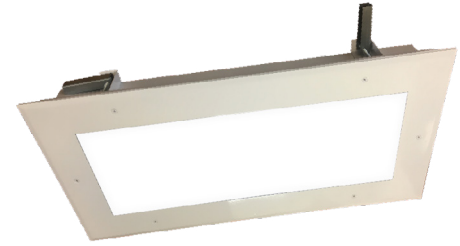


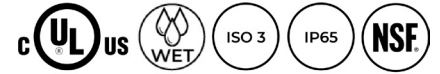
## STARCLEAN SERIES RECESSED: QUICK SHIP SCR24

### FEATURES:

- Intended for Healthcare Settings, Alternative Care Facilities, Cleanrooms, Hospitals, Hi-Tech Manufacturing, Laboratory, Food Processing Facilities, Commercial Kitchens, and more
- 5 Day Quick Ship for orders under 50 fixtures. Consult factory for large quantities or additional fixture options
- Can be used for Temporary/Conversion Patient Care & Hospital Facilities with step dimming for different light levels
- Recessed ceiling mount; grid or flange
- High-output to achieve various lighting level requirements for different applications
- This product was Made in America and complies with the Buy American Act requirements



SCR24



### RELATED PRODUCTS:

- [StarClean Recessed \(SCR\) Full Range of Ordering Options](#)
- [StarClean Surface Series \(SCS\)](#)
- [StarClean Utility \(SCU\)](#)
- [StarClean Recessed with Red LED's \(SCR\)](#)

### SPECIFICATIONS

**HOUSING:** 20 gauge formed cold rolled steel housing with continuous seam welds.

**FRAME:** Overlapping doorframe in cold rolled steel. Frame held to housing via aircraft cable.

**LENS:** Acrylic or polycarbonate lens options - smooth side out. Overlapping frame uses a rail hold down system.

**LED:** Available in two color temperatures 3500°K and 4000°K with maximum 3-step MacAdam variation allowance. Minimum 80 CRI standard.

**ELECTRICAL:** 0-10V dimming available with 10-100% range and 1-100% range. Must specify dimming under options.

**FASTENERS:** Stainless steel Philips flat head screws with captive cage nuts. Finish to match doorframe.

**FINISH:** White antimicrobial powder coat finish following multistage iron phosphate pretreatment.

**GASKET:** Closed cell EPDM and closed cell silicone gaskets prevent air contaminations from entering the fixture. Gasketing seals lens to doorframe and doorframe to housing.

**INSTALLATION:** Recessed mounting accommodates Grid and Flange installations. Recessed fixtures will be supplied with adjustable swing arms that can be used for Flange applications or taped to the side for Grid applications. Recessed install compatible with 1-1/2" and 15/16" Grid systems. Mounting for custom ceilings available, consult factory.

**WARRANTY:** Limited five (5) year warranty.

**LABEL:** Fixture is certified to UL standards for Wet Location under covered ceiling. IP65 rating. Meets ISO 3/Class 1 Cleanrooms. NSF2 Splash/Non-Food Zone.

# STARCLEAN SERIES RECESSED: QUICK SHIP

## SCR24

### ORDERING INFORMATION

EXAMPLE: SCR24-HC/OC-L4401C-A-UN-QS

SERIES	MOUNTING	SIZE*	HOUSING	FRAME	LUMEN OUTPUT*
SC	R	24	HC	OC	

R = Recessed  
(Grid/Flange)

24 = 2x4

HC = 20Ga. CRS Painted

OC = 18Ga. CRS Painted

L2 = Low

L4 = Standard

L6 = Medium

L8 = High

\*Nominal  
Size.  
Dimensional  
Data on Page  
3.

\*Subject to change. Performance Data on page 3.

COLOR TEMP.	CIRCUITS	LENS	VOLTAGE	OPTIONS	QS
			UN		

35 = 3500°K

1C = 1 Circuit

A = .125 Prismatic Acrylic

UN = Universal  
(120V-277V)

DM = 0-10V dimming with 10-100% range

QS = Quick Ship

40 = 4000°K

2C = 2 Circuits\*

B = .125 Prismatic Poly.

DM1 = 0-10V dimming with 1-100% range

C = .156 Prismatic Poly.

EL1 = Emerg. Bat. LED Low (10W)\*

\*Allows for  
Inboard/Outboard  
control.

E = .125 White Frost Poly.

EL2 = Emerg. Bat. LED High (20W)\*

G = .140 Prismatic DR Acrylic

SD2 = Step. Dimming (50-100%)

SD3 = Step. Dimming (30-70-100%)

WP = 6ft. Flex Whip. Supply wires included  
only unless otherwise specified

\*Provided on an additional independent circuit.

This product was Made in America and complies with the Buy American Act requirements. Specifications and dimensions are subject to change without notice. For additional options and dimensional details, please consult your New Star Lighting representative.

# STARCLEAN RECESSED: QUICK SHIP

## SCR24



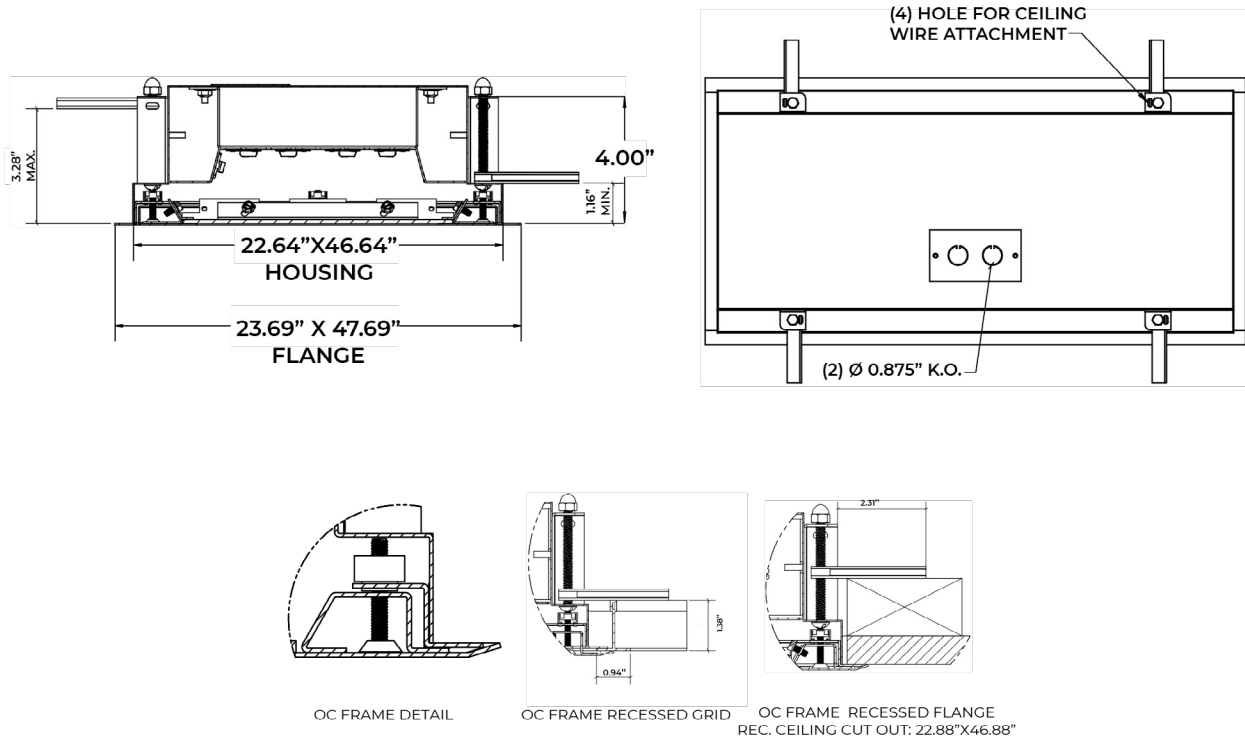
### PERFORMANCE DATA\*

\*Displayed information is with a .125 Prismatic Polycarbonate. Data is with 80 CRI chip. LEDs are frequently updated therefore values may change without notice.

MODEL	OUTPUT	COLOR TEMP.	LUMENS DELIVERED	EFFICACY (lm/W)	INPUT POWER (W)
SC24	L2 = Low	3500°K	6000	120	50
		4000°K	6250	125	50
		5000°K	6500	130	50
	L4 = Standard	3500°K	12000	120	100
		4000°K	12500	125	100
		5000°K	13000	130	100
	L6 = Medium	3500°K	17250	115	150
		4000°K	18000	120	150
		5000°K	18750	125	150
L8 = High	3500°K	23000	115	200	
	4000°K	24000	120	200	
	5000°K	25000	125	200	

### DIMENSIONAL DATA

Fixture weight varies and is dependent upon chosen specifications. Consult factory for additional information. Average weight of the SCR24 is 48lb.



### GRID COMPATIBILITY:

SCR24: Spaced at 24" x 48" Centers

This product was Made in America and complies with the Buy American Act requirements. Specifications and dimensions are subject to change without notice. For additional options and dimensional details, please consult your New Star Lighting representative.