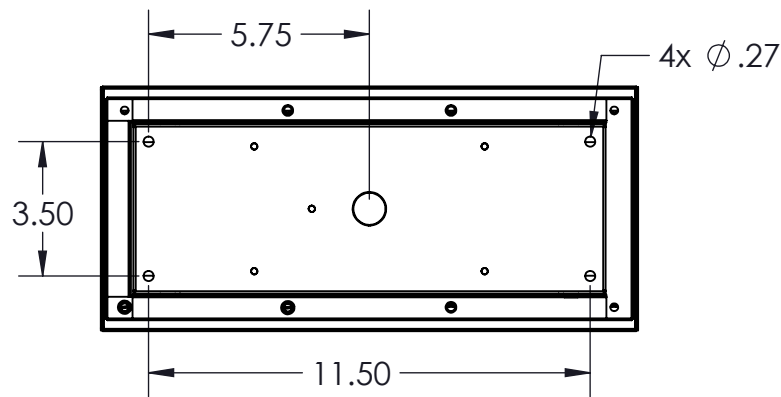


**Fixture Family:** Sculpture Series (SL)

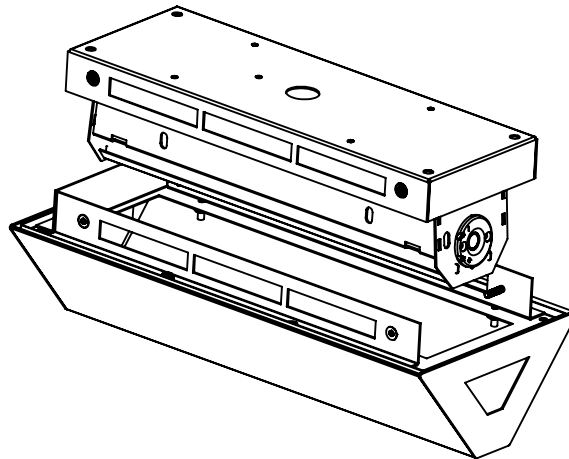
**Description:** Surface Mount Sconce

## IMPORTANT SAFETY INSTRUCTIONS

- This product must be installed in accordance with the applicable installation code by a person familiar with the construction and operation of the product and the hazards involved.
- Disconnect power before beginning installation.
- Fixture must be installed in compliance with the National Electric Code and any local codes.
- To be installed only by a qualified electrician.
- Proper grounding is required to insure personal safety.
- Read all fixture markings and labels to ensure correct installation of fixture.
- Risk of fire, use minimum of 90C supply connectors.
- These instructions may not cover all details or the variations. If additional information is needed, please contact New Star Lighting.



## EXPLODED VIEW



Installer is responsible for adequately reinforcing walls and/or ceiling to support luminaire weight. These instructions do not claim to cover all details or variations in the equipment, procedure or process. Specifications and dimensions are subject to change.

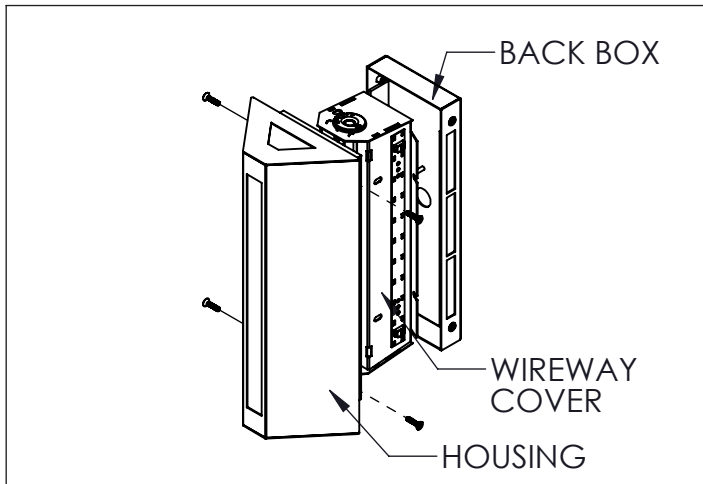


Figure 1

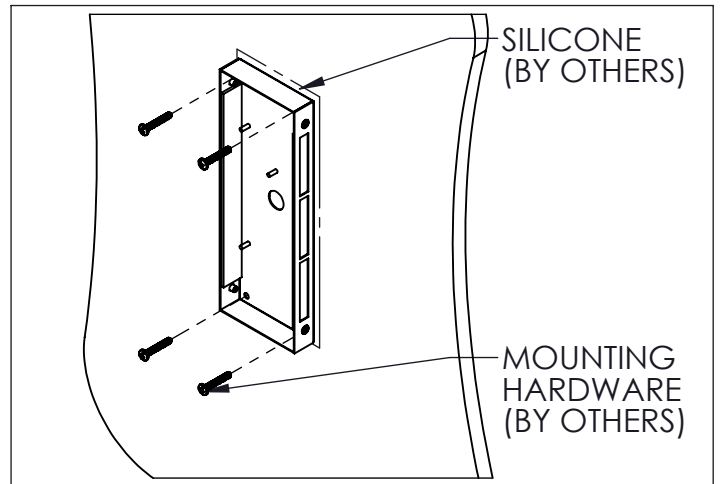


Figure 2

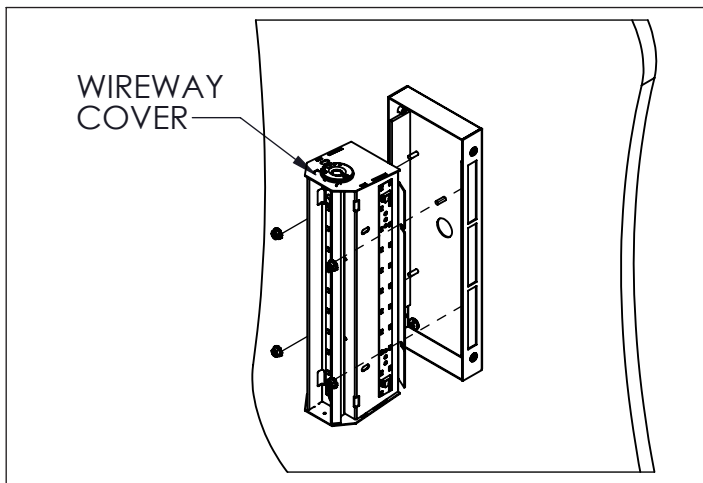


Figure 3

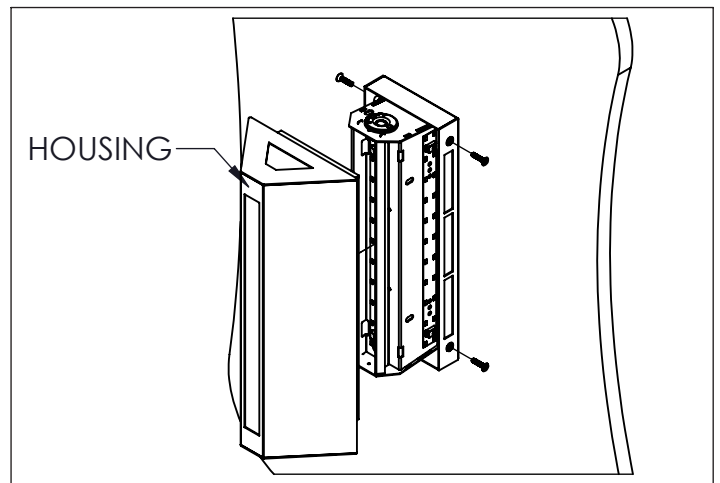


Figure 4

## SURFACE MOUNT

1. Remove Back Box and Wireway Cover (Fig. 1)
2. Install Back Box at desired mounting location then add silicone around perimeter (Fig. 2)
3. Connect Back Box ground wire to a suitable ground in accordance with local electrical codes.
4. Make all other necessary electrical connections, re-attach Wireway Cover (Fig. 3)
5. Re-attach housing (Fig. 4)

Installer is responsible for adequately reinforcing walls and/or ceiling to support luminaire weight. These instructions do not claim to cover all details or variations in the equipment, procedure or process. Specifications and dimensions are subject to change.