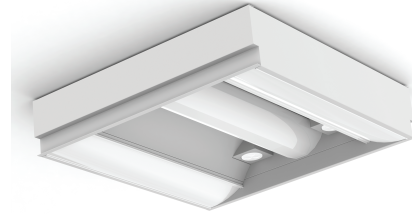


PROJECT: _____
 TYPE: _____
 PRODUCT: _____
 APPROVED BY: _____



SMDOS

PRODUCT FEATURES

- Intended for Patient Rooms, Skilled Nursing, Examination Rooms, and more.
- Multi-function 3-compartment Exam, Ambient, Reading functions, available in 2x2 and 2x4
- Recessed Grid and Flange installation.
- This product is Made in America and complies with the Buy American Act (BAA), and the Build America, Buy America Act (BABA)



ORDERING INFORMATION

Example: SMDOSG24-HC/ICA-L340-L240-RL-FA-UN

SMDOS							
Series	Mounting	Nominal Size	Housing	Inset Frame*	Frame Lens*	Ambient Lumen Output*	Ambient Color Temp.
	G = Grid F = Flange	22 = 2 x 2 24 = 2 x 4 *Nominal Size. Dimensional Data on Page 2.	HC = 20Ga. CRS Painted HP = 20Ga. SS Painted HA = 16Ga. Alum. Painted	Blank = No Frame IC = 18Ga. CRS Painted IA = 16Ga. Alum. Painted *Optional frame. Frame provides surface for easy cleaning. Must specify Frame Lens if frame is chosen. Frame increases depth of fixture to 6.25".	Blank = No Lens A = .125 Clear Poly. 1 = .187 Clear Poly. *If no frame is selected, no frame lens will be provided.	L1 = Low L2 = Medium L3 = High *Subject to change. Performance Data on Page 3. Ambient lens is a White Poly.	35 = 3500K 40 = 4000K 50 = 5000K TW1* = Tunable White 2700K to 5000K* TW2* = Tunable White 2700K to 6500K* *TW Driver must be selected (see pg. 2 for options). Exam CCT will remain fixed, as specified

Exam Lumen Output	Exam Color Temp.	Reading Light	Exam Lens	Voltage	Drivers	Options
L1 = Low L2 = Medium L3 = High *Subject to change. Performance Data on Page 3.	35 = 3500K 40 = 4000K 50 = 5000K	B = None RL = 2 LED Lights*	CA = Clear Ribbed Acrylic FA = Frosted Ribbed Acrylic	12 = 120V 27 = 277V 34 = 347V UN = Universal (120V-277V)	DM = 0-10V dimming with 10-100% range DM1 = 0-10V dimming with 1-100% range TW(#)* = Tunable White Drivers SD2 = Step Dim. Module (50-100%)** SD3 = Step Dim. Module (25-50-100%*** *See page 2 to specify system. **3500K Night Light with integrated switch allows light levels at 100%, 70%, 40% and 10%. *** N/A with 277V.	FZ1 = Fuse (120V) FZ2 = Fuse (277V) RF = (RIF) Radio Interference Filter AML = Antimicrobial Lens (Ambient and Exam)* LN = LED Night Light** EL1 = Emerg. Bat. LED Low (10W)*** EL2 = Emerg. Bat. LED High (20W)*** LV2 = On/Off Curbell Low Voltage Controller**** LV3 = Dimming Curbell Low Voltage Controller***** *N/A with frame. **3500K non-dimming Night Light with integrated switch allows light levels at 100%, 70%, 40% and 10%. Located in Ambient compartment. N/A with High Ambient Lumen Output (L3). ***Illuminate Ambient compartment. Integral test switch located on reflector. ****LV2 controls ambient and reading functions without dimming (on/off function only). Exam and Night Light (if specified) are on separate line voltage circuits. Must specify voltage. N/A with emergency battery. *****LV3 controls ambient function with dimming and on/off reading function. Exam and Night Light (if specified) are non-dimming and provided on separate line voltage circuits. N/A with emergency battery.

SPECIFICATIONS

HOUSING: 20-Gauge formed cold rolled steel housing seam welded and ground smooth. Stainless steel option available. Optional inset frame secured to housing with hinge and features clear polycarbonate lens for easy cleaning.

LENS: Ambient lens is .125" white polycarbonate. Exam lens is available in clear ribbed acrylic or white frosted ribbed acrylic (recommended).

LED: Ambient and exam compartments available in three color temperatures 3500K, 4000K and 5000K with maximum 3-step MacAdam variation allowance. Tunable White also available, from 2700K - 5000K or 2700K- 6500K. Optional reading lights are non-dimmable and 3000K. Minimum 50,000 hours with 70% lumen maintenance in a 25°C ambient temperature, compliant with IES LM-80 testing standards

ELECTRICAL: 120-277VAC 50/60HZ electrical input high power factor electronic, constant current driver (<20% THD, >0.95 PF). Standard 0-10V dimming with 1-100% range for ambient and reading only.

#TUNABLE DRIVER OPTIONS:

DALIB - DALI Type 8 (One DALI Address)

TWD - Two channel 0-10V dimming: one channel for brightness, one channel for CCT

LOW VOLTAGE CONTROL: Two Low Voltage Control (LVC) options; Voltage-specific LV2 controls ambient and reading functions without dimming (on/off function only). LV3 option controls ambient function with dimming, reading is non-dimming (on/off). With either LVC option, Exam and Night Light are on separate line voltage circuits.

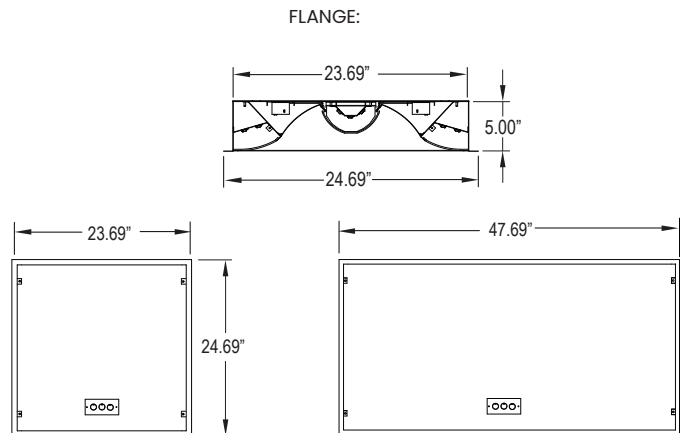
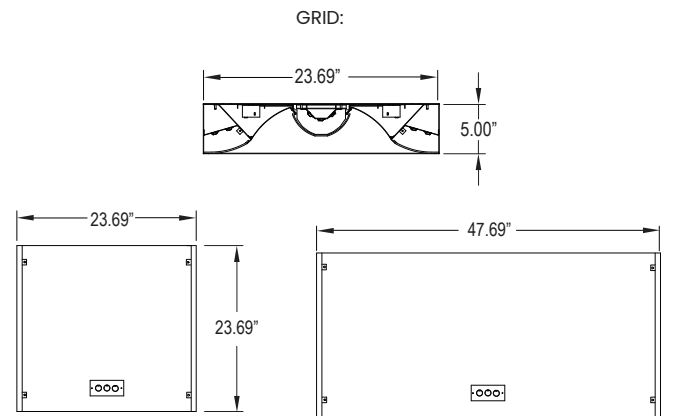
FINISH: White antimicrobial powder coat finish following multistage iron phosphate pre-treatment unless stainless steel brushed is specified.

INSTALLATION: Easy Flange installation with adjustable 90° swing arm system. Hardware by others.

WARRANTY: 5 Year warranty.

LABEL: Fixture is certified Damp Location to UL standards by Intertek Testing Laboratories. This product is Made in America and complies with Buy American Act requirements.

DIMENSIONAL DATA



Flange Recommended Opening:
 22: 24 1/16" x 23 1/8"
 24: 47 1/8" x 24 1/16"

PERFORMANCE DATA

*LEDs are frequently updated therefore values may change without notice.

MODEL		OUTPUT	COLOR TEMP.	LUMENS DELIVERED	EFFICACY (lm/w)	INPUT POWER (W)
SMDOS22	Ambient	L1 = Low	4000K	1265	101	12.5
		L2 = Medium	4000K	2525	101	25
		L3 = High	4000K	3790	101	37.5
	Exam	L2 = High	4000K	5500	110	50
SMDOS24	Ambient	L1 = Low	4000K	2525	101	25
		L2 = Medium	4000K	5050	101	50
		L3 = High	4000K	7575	101	75
	Exam	L1 = Low	4000K	5500	110	50
		L2 = High	4000K	11000	110	100
	Reading Light	-	4000K	461	76	6



New Star Lighting

2225 W Pershing Rd, Chicago, IL 60609
 (773) 847-1400
www.newstarlighting.com

Specifications and dimensions are subject to change without notice. For additional options and dimensional details, please consult your New Star Lighting representative.

© 2024, New Star Lighting. All rights reserved. Unauthorized duplication or distribution is prohibited.