

LUMANIQUE MULTI-FUNCTION SERIES SPDH14

FEATURES:

- Intended for Patient Rooms, Skilled Nursing Facilities, Convalescent Care, Hospice, and more
- Provides ambient, exam, reading, and night light illumination for the patient room environment
- Four inch depth minimizes interference with systems within ceiling plenum
- Optional clear overlay lens provides flat wipe-down surface for easy cleaning (recommended for medical applications)
- Dimensional one-piece lens provides an architectural statement
- This product was Made in America and complies with the Buy American Act requirements



SPDH14 Pair



RELATED PRODUCTS:

- [Lumanique Multi-Function 2x2 & 2x4 \(SPDH22 & SPDH24\)](#)
- [Lumanique Ambient \(SPDA\)](#)
- [StarMed M3](#)

SPECIFICATIONS

CONSTRUCTION: 20-gauge formed cold rolled steel housing and frame with continuous seam welds. Optional 16 gauge aluminum. Inset frame with latches provides tool-less access for installation and servicing. Internal chambers separate functions for individual light control without light leaks.

LENS: High transmittance matte white acrylic lens for maximum diffusion. Optional decorative pattern over middle ambient chamber available. Optional clear overlay lens provides flat wipe-down surface for easy cleaning (recommended for medical applications).

LED: Provides ambient, exam, reading and night light/chart light illumination for the patient room environment. Available in four color temperatures 3000°K, 3500°K, 4000°K and 5000°K with maximum 3-step MacAdam variation allowance. Other color temperatures available, consult factory. Ambient section illuminates all compartments. Exam light levels work in conjunction with ambient function. Ambient and exam functions are recommended to have the same color temperature. Minimum 80 CRI standard with optional minimum 90 CRI available. Consult factory for additional reading light levels.

ELECTRICAL: Each function is independently circuited for individual control. 0-10V dimming available with 10-100% range and 1-100% range for ambient and reading functions. Must specify dimming under options. Optional Curbell Low Voltage Controller provides control of lighting from a pillow speaker, bed side rail or wall switch. LV3 controls ambient and reading functions with dimming. Exam and night light functions are provided on independent line voltage circuits unless otherwise specified. One low voltage controller per pair is recommended. Leads are factory labeled for field installation. Controls and additional accessories by others.

FINISH: Matte white antimicrobial powder coat finish following multistage iron phosphate pretreatment on all exposed room-side surfaces.

INSTALLATION: Recessed mounting accommodates Grid and Flange installations. Recessed fixtures will be supplied with adjustable swing arms that can be used for Flange applications or taped to the side for Grid applications. Recessed install compatible with 1-1/2" and 15/16" Grid systems. Mounting for custom ceilings available, consult factory. Thermal protector included and extends 2 inches from housing.

WARRANTY: Limited five (5) year warranty.

LABEL: Fixture is certified to UL standards by Intertek Testing Laboratories for Damp Location for non-IC installations (thermal protector included).

This product was Made in America and complies with the Buy American Act requirements. Specifications and dimensions are subject to change without notice. For additional options and dimensional details, please consult your New Star Lighting representative.

LUMANIQUE MULTI-FUNCTION SERIES

SPDH14

ORDERING INFORMATION

EXAMPLE: SPDHR14L-HC20-IC20/CA12-WHA-AER-LW-40-40-35-NN-UN

SERIES	MOUNTING	SIZE*	POSITION	HOUSING	INSET FRAME	FRAME LENS*
SPDH	R	14				

R = Recessed (Grid/Flange) 14 = 1x4 L = Left* R = Right* HC20 = 20Ga. CRS Painted IC20 = 20Ga. CRS Painted Blank = No Overlay Lens
 HA16 = 16Ga. Alum. Painted IA16 = 16Ga. Aluminum Painted CA12 = .125 Clear Acrylic

*Nominal size. ST = Standalone**
 Click [here](#) for 2x2 and 2x4 options.

* Sold individually. Recommended to be used in pairs adjacent to the patient bed. Must specify a Left & Right for a complete pair.
 *** Standalone fixture is one 1x4 above the patient bed.

CP12 = .125 Clear Poly.
 CP060 = .060 Clear Poly.

*Clear overlay provides flat wipe-down surface for easy cleaning (recommended for medical applications).

LENS	FUNCTIONS*	LUMEN OUTPUT*	AMBIENT COLOR TEMP.*

WHA = White Acrylic AERN = Ambient, Exam, Reading, Night Light LW = Low 30 = 3000°K
 WHL = White Linen Pattern* AER = Ambient, Exam, Reading HG = High 35 = 3500°K
 AE = Ambient, Exam CL = Custom Lumen Output** 40 = 4000°K
 AR = Ambient, Reading 50 = 5000°K**

*Linen pattern is on the middle compartment. Edges will be White Acrylic unless otherwise specified. See page 4 for example.

*Additional configurations available.

*Subject to change.
 ** Consult factory. Must be specified at time of quote. Must not exceed fixture maximum output. Must specify "DM1" if selecting dimming.

*Ambient illuminates all compartments. Recommended to have same/similar color temp. as exam.
 ** N/A with 90 CRI.

EXAM COLOR TEMP.*	READING COLOR TEMP.*	NIGHT LIGHT COLOR TEMP.*	VOLTAGE	OPTIONS

NE = No Exam NR = No Reading NN = No Night Light 12 = 120V DM = 0-10V dimming with 10-100% range
 30 = 3000°K 30 = 3000°K 30 = 3000°K 27 = 277V DM1 = 0-10V dimming with 1-100% range
 35 = 3500°K 35 = 3500°K 35 = 3500°K FZ1 = Fuse (120V)
 40 = 4000°K 40 = 4000°K 40 = 4000°K FZ2 = Fuse (277V)
 50 = 5000°K** 50 = 5000°K* 50 = 5000°K** 90C = 90 CRI*
 LNA = Amber EQ = Earthquake Clips

*Recommended to have same/similar color temp. as ambient.
 ** N/A with 90 CRI.

*Non-dimming unless otherwise specified.
 ** N/A with 90 CRI.

LV3 = Dimming Curbell Low Voltage Controller**
 SD3 = Step Dim. Module (30-70-100%)
 TH = Torx Head screws (with center pin)***

* N/A with 5000°K
 ** Click [here](#) for specification. LV3 controls ambient and reading functions with dimming. Exam and Night Light are on separate line voltage circuits. One LV required per pair. LV leads are factory labeled.
 *** Self tapping screw through latch.

LUMANIQUE MULTI-FUNCTION SERIES

SPDH14



PERFORMANCE DATA*

*Displayed information is with 80 CRI at 4000°K with a white acrylic lens. LEDs are frequently updated therefore values may change without notice. Note, Ambient function illuminates all compartments including center section. Exam function to be used in conjunction with ambient function.

SERIES	OUTPUT	FUNCTION	LUMENS DELIVERED	EFFICACY (lm/W)	INPUT POWER (W)
SPD14 Left & Right Pair Total	LW = Low	Ambient	5700	95	60
		Exam	10800	90	120
		Reading	1250	50	25
		Night light	500	50	10
	HG = High	Ambient	9500	95	100
		Exam	18000	90	200
		Reading	1250	50	25
		Night light	500	50	10
SPD14ST 1x4 Standalone	LW = Low	Ambient	2850	95	30
		Exam	5400	90	60
		Reading	600	50	12
		Night light	350	50	7
	HG = High	Ambient	4750	95	50
		Exam	9000	90	100
		Reading	600	50	12
		Night light	350	50	7

Please consult factory for additional reading light level options. Note, night light/chart light data is for one unit. Night light/chart light can be specified for both units if ordering a pair.

CCT Multipliers - 80 CRI

Multipliers for relative lumen values with other series color temperatures

3000°K	3500°K	4000°K	5000°K
0.96	0.99	1.00	1.00

This product was Made in America and complies with the Buy American Act requirements. Specifications and dimensions are subject to change without notice. For additional options and dimensional details, please consult your New Star Lighting representative.

LUMANIQUE MULTI-FUNCTION SERIES

SPDH14



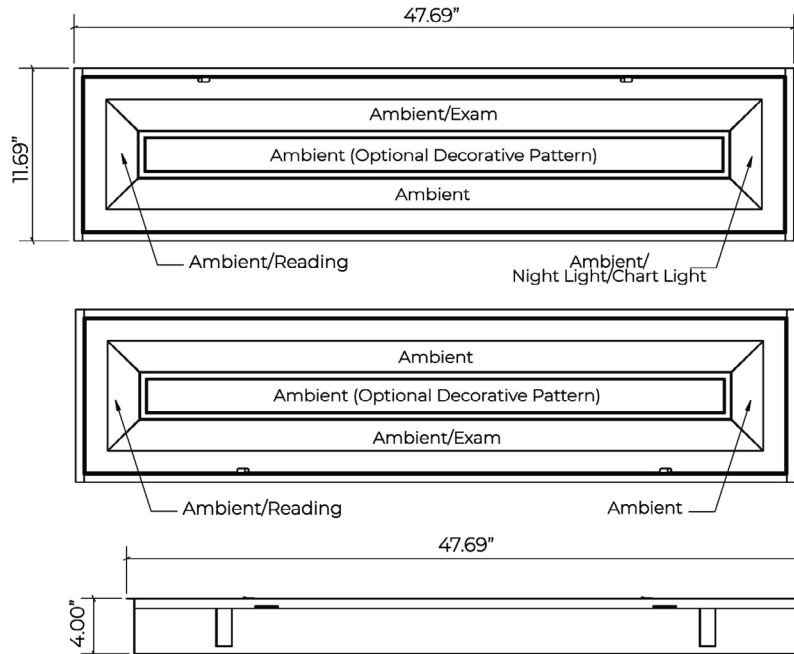
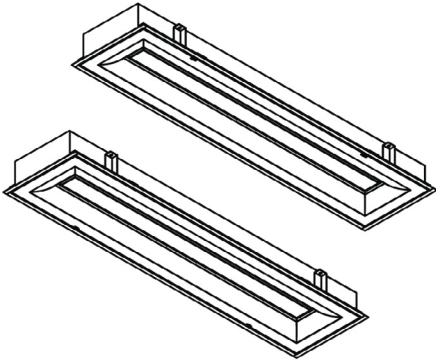
DIMENSIONAL DATA*

*Dimensions are subject to change without notice. Intended for non-IC installations. Thermal protector included and extends 2 inches from housing. Fixture weight varies and is dependent upon chosen specifications. Consult factory for additional information. Average weight of the SPD 1x4 is 38lbs.

SPDH 1x4 recommended ceiling cut-out: 10.88" x 46.88".

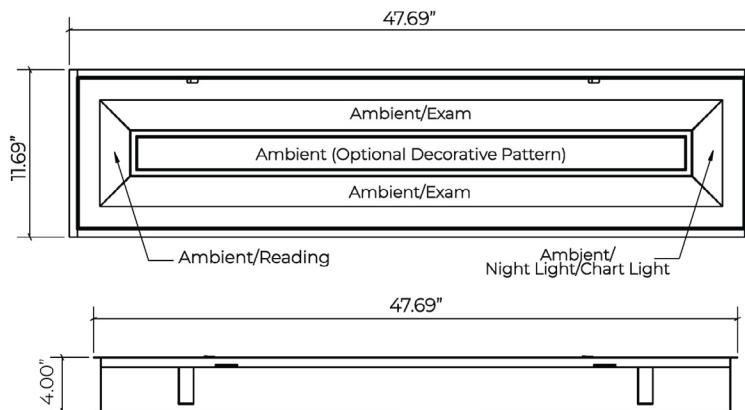
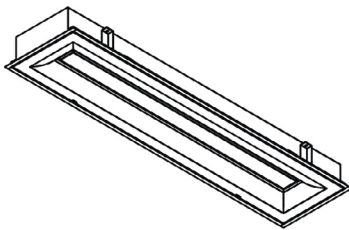
SPDH14 Pair

When used in pairs, the exam function is in the outer most position away from the patient bed. Night light/chart light can be specified for both units if ordering a pair.



SPDH14 Standalone

The standalone fixture will have the exam function on both sides of the fixture.



This product was Made in America and complies with the Buy American Act requirements. Specifications and dimensions are subject to change without notice. For additional options and dimensional details, please consult your New Star Lighting representative.