

LUMANIQUE MULTI-FUNCTION SERIES

SPDH22/SPDH24

FEATURES:

- Intended for Patient Rooms, Skilled Nursing Facilities, Convalescent Care, Hospice, and more
- Provides ambient, exam, reading, and night light illumination for the patient room environment
- Four inch depth minimizes interference with systems within ceiling plenum
- Optional clear overlay lens provides flat wipe-down surface for easy cleaning (recommended for medical applications)
- Dimensional one-piece lens provides an architectural statement
- This product was Made in America and complies with the Buy American Act requirements



SPDH24

RELATED PRODUCTS:

- [Lumanique Multi-Function 1x4 \(SPDH14\)](#)
- [Lumanique Ambient \(SPDA\)](#)
- [StarMed M3](#)



SPECIFICATIONS

CONSTRUCTION: 20-gauge formed cold rolled steel housing and frame with continuous seam welds. Optional 16 gauge aluminum. Inset frame with latches provides tool-less access for installation and servicing. Internal chambers separate functions for individual light control without light leaks.

LENS: High transmittance matte white acrylic lens for maximum diffusion. Optional decorative pattern over middle ambient chamber available. Optional clear overlay lens provides flat wipe-down surface for easy cleaning (recommended for medical applications).

LED: Provides ambient, exam, reading and night light/chart light illumination for the patient room environment. Available in four color temperatures 3000°K, 3500°K, 4000°K and 5000°K with maximum 3-step MacAdam variation allowance. Other color temperatures available, consult factory. Ambient section illuminates all compartments. Exam light levels work in conjunction with ambient function. Ambient and exam functions are recommended to have the same color temperature. Minimum 80 CRI standard with optional minimum 90 CRI available.

ELECTRICAL: Each function is independently circuited for individual control. 0-10V dimming available with 10-100% range and 1-100% range for ambient and reading functions. Must specify dimming under options. Optional Curbell Low Voltage Controller provides control of lighting from a pillow speaker, bed side rail or wall switch. LV3 controls ambient and reading functions with dimming. Exam and night light functions are provided on independent line voltage circuits unless otherwise specified. Controls and additional accessories by others.

FINISH: Matte white antimicrobial powder coat finish following multistage iron phosphate pretreatment on all exposed room-side surfaces.

INSTALLATION: Recessed mounting accommodates Grid and Flange installations. Recessed fixtures will be supplied with adjustable swing arms that can be used for Flange applications or taped to the side for Grid applications. Recessed install compatible with 1-1/2" and 15/16" Grid systems. Mounting for custom ceilings available, consult factory. Thermal protector included and extends 2 inches from housing.

WARRANTY: Limited five (5) year warranty.

LABEL: Fixture is certified to UL standards by Intertek Testing Laboratories for Damp Location and non-IC installations (thermal protector included).

This product was Made in America and complies with the Buy American Act requirements. Specifications and dimensions are subject to change without notice. For additional options and dimensional details, please consult your New Star Lighting representative.

LUMANIQUE MULTI-FUNCTION SERIES

SPDH22/SPDH24

ORDERING INFORMATION

EXAMPLE: SPDHR24-HC20-IC20/CA12-WHA-AER-LW-40-40-35-NN-UN

SERIES	MOUNTING	SIZE*	HOUSING	INSET FRAME	FRAME LENS*
SPDH	R				
	R = Recessed (Grid/Flange)	22 = 2x2 24 = 2x4	HC20 = 20Ga. CRS Painted HA16 = 16Ga. Alum. Painted	IC20 = 20Ga. CRS Painted IA16 = 16Ga. Aluminum Painted	Blank = No Overlay Lens CA12 = .125 Clear Acrylic CPI2 = .125 Clear Poly. CP060 = .060 Clear Poly.

*Nominal size. Click [here](#) for 1x4 options.

*Clear high reflective overlay provides flat wipe-down surface for easy cleaning (recommended for medical applications).

LENS	FUNCTIONS*	LUMEN OUTPUT*	AMBIENT COLOR TEMP.*

WHA = White Acrylic

AERN = Ambient, Exam, Reading, Night Light

LW = Low

30 = 3000°K

WHL = White Linen Pattern*

AER = Ambient, Exam, Reading

HG = High

35 = 3500°K

AE = Ambient, Exam

CL = Custom Lumen Output**

40 = 4000°K

*Linen pattern is on the middle compartment. Edges will be White Acrylic unless otherwise specified. See page 4 for example.

AR = Ambient, Reading

50 = 5000°K**

*Additional configurations available.

*Subject to change.

** Consult factory. Must be specified at time of quote. Must not exceed fixture maximum output. Must specify "DM1" if selecting dimming.

*Ambient illuminates all compartments. Recommended to have same/similar color temp. as exam.
 ** N/A with 90 CRI.

EXAM COLOR TEMP.*	READING COLOR TEMP.	NIGHT LIGHT COLOR TEMP.*	VOLTAGE	OPTIONS

NE = No Exam

NR = No Reading

NN = No Night Light

12 = 120V

DM = 0-10V dimming with 10-100% range

30 = 3000°K

30 = 3000°K

30 = 3000°K

27 = 277V

DM1 = 0-10V dimming with 1-100% range

35 = 3500°K

35 = 3500°K

35 = 3500°K

FZ1 = Fuse (120V)

40 = 4000°K

40 = 4000°K

40 = 4000°K

FZ2 = Fuse (277V)

50 = 5000°K**

50 = 5000°K*

50 = 5000°K**

90C = 90 CRI*

LNA = Amber

EQ = Earthquake Clips

*Recommended to have same/similar color temp. as ambient.
 ** N/A with 90 CRI.

* N/A with 90 CRI.

*Non-dimming unless otherwise specified.
 ** N/A with 90 CRI.

LV3 = Dimming Curbell Low Voltage Controller**

SD2 = Step Dim. Module (50-100%)

SD3 = Step Dim. Module (30-70-100%)

TH = Torx Head screws (with center pin)***

* N/A with 5000°K

** Click [here](#) for specification. LV3 controls ambient and reading functions with dimming. Exam and Night Light are on separate line voltage circuits.

*** Self tapping screw through latch.

This product was Made in America and complies with the Buy American Act requirements. Specifications and dimensions are subject to change without notice. For additional options and dimensional details, please consult your New Star Lighting representative.

LUMANIQUE MULTI-FUNCTION SERIES

SPDH22/SPDH24



PERFORMANCE DATA*

*Displayed information is with 80 CRI at 4000°K with a white acrylic lens. LEDs are frequently updated therefore values may change without notice. Consult factory for additional reading light levels. Note, ambient function illuminates all compartments including center section. Exam function to be used in conjunction with ambient function.

SERIES	OUTPUT	FUNCTION	LUMENS DELIVERED	EFFICACY (lm/W)	INPUT POWER (W)
SPD22	LW = Low	Ambient	4400	110	40
		Exam	8000	100	80
		Reading	900	75	12
		Night light	750	75	10
	HG = High	Ambient	6600	110	60
		Exam	10800	100	108
		Reading	900	75	12
		Night light	750	75	10
SPD24	LW = Low	Ambient	6900	115	60
		Exam	12000	100	120
		Reading	1875	75	25
		Night light	600	75	8
	HG = High	Ambient	13800	115	120
		Exam	21500	100	215
		Reading	1875	75	25
		Night light	1125	75	15

CCT Multipliers - 80 CRI

Multipliers for relative lumen values with other series color temperatures

3000°K	3500°K	4000°K	5000°K
0.96	0.99	1.00	1.00

This product was Made in America and complies with the Buy American Act requirements. Specifications and dimensions are subject to change without notice. For additional options and dimensional details, please consult your New Star Lighting representative.

LUMANIQUE MULTI-FUNCTION SERIES

SPDH22/SPDH24

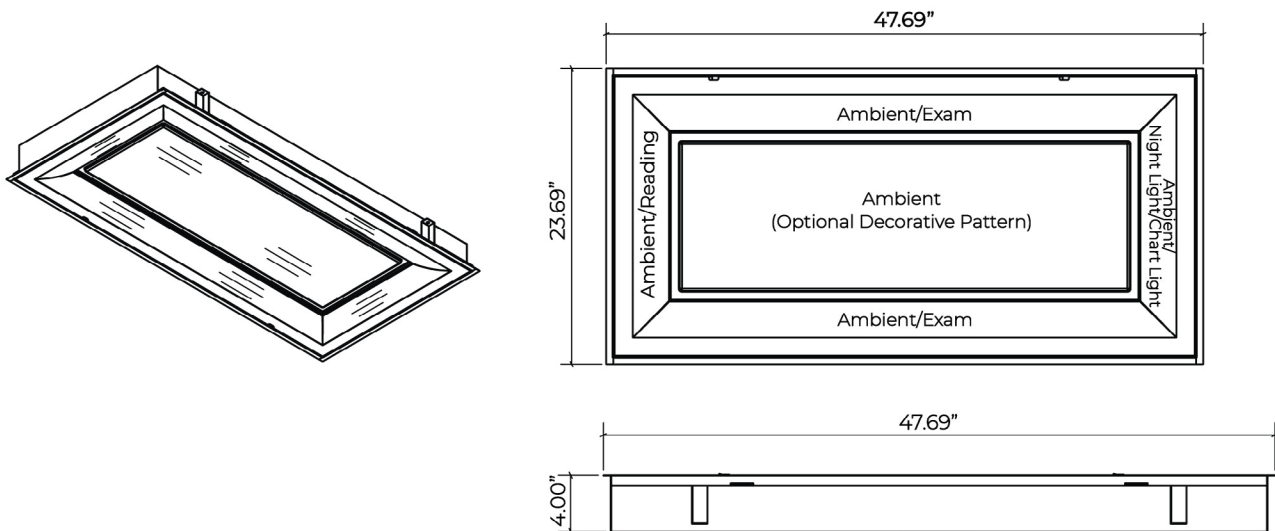
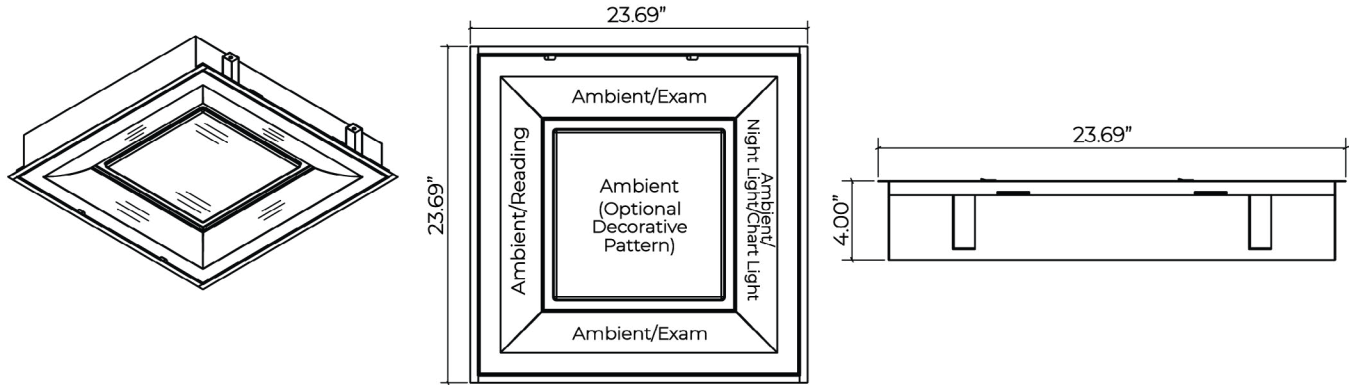


DIMENSIONAL DATA*

*Dimensions are subject to change without notice. Intended for non-IC installations. Thermal protector included and extends 2 inches from housing. Fixture weight varies and is dependent upon chosen specifications. Consult factory for additional information. Average weight of the SPD 2x2 is 30lbs. SPD 2x4 is 50lbs.

SPDH 2x2 recommended ceiling cut-out: 22.88" x 22.88"

SPDH 2x4 recommended ceiling cut-out: 22.88" x 46.88"



This product was Made in America and complies with the Buy American Act requirements. Specifications and dimensions are subject to change without notice. For additional options and dimensional details, please consult your New Star Lighting representative.