

INSTALLATION INSTRUCTIONS

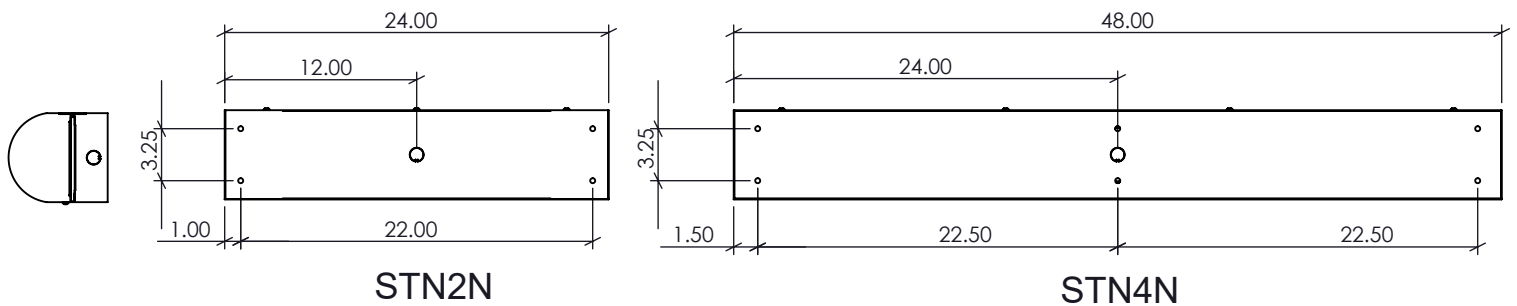


Fixture Family: STNXN

Description: Ceiling Mount Fixture

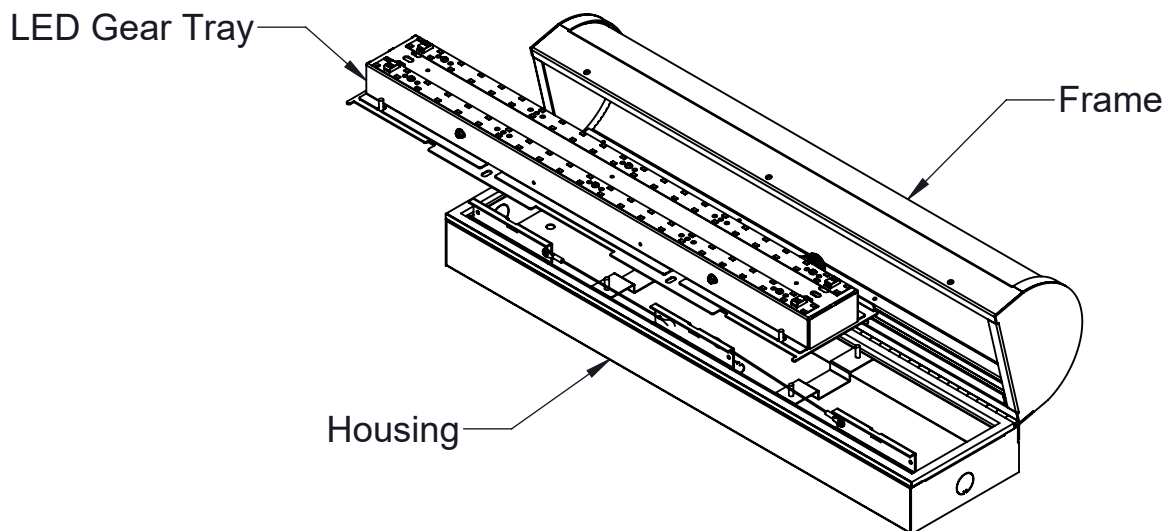
IMPORTANT SAFETY INSTRUCTIONS

- This product must be installed in accordance with the applicable installation code by a person familiar with the construction and operation of the product and the hazards involved.
- Disconnect power before beginning installation.
- Fixture must be installed in compliance with the National Electric Code and any local codes.
- To be installed only by a qualified electrician.
- Proper grounding is required to insure personal safety.
- Read all fixture markings and labels to ensure correct installation of fixture.
- Risk of fire, use minimum of 90C supply connectors.
- These instructions may not cover all details or the variations. If additional information is needed, please contact New Star Lighting.



Mounting holes are ϕ .31. Knockouts (K.O.) are ϕ .88.

EXPLODED VIEW



Installer is responsible for adequately reinforcing walls and/or ceiling to support luminaire weight. These instructions do not claim to cover all details or variations in the equipment, procedure or process. Specifications and dimensions are subject to change.

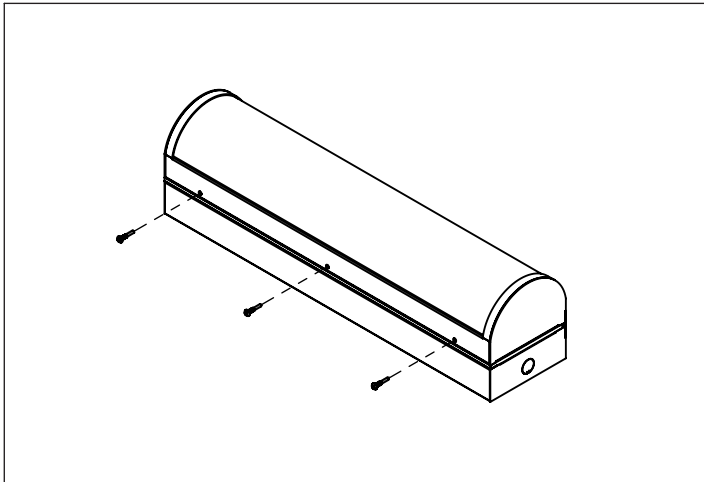


Figure 1

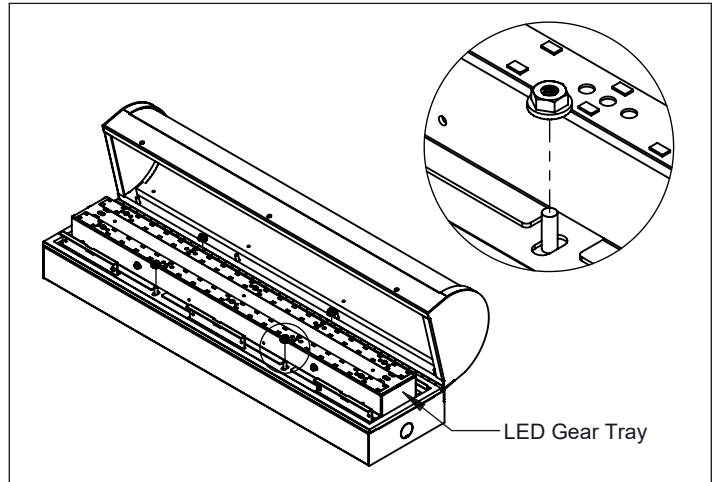


Figure 2

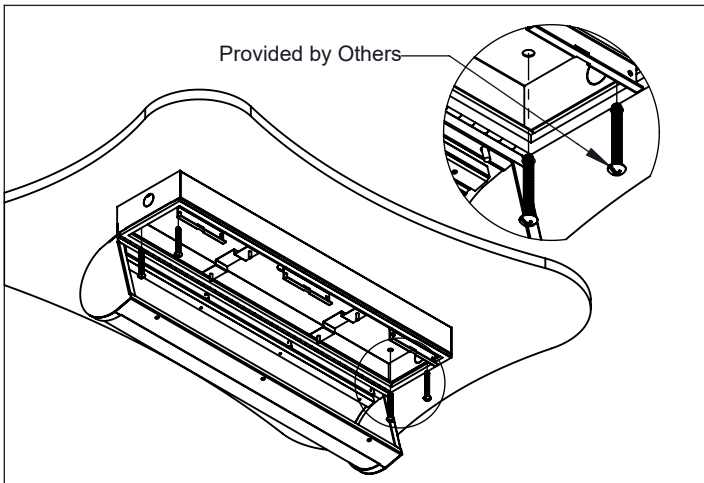


Figure 3

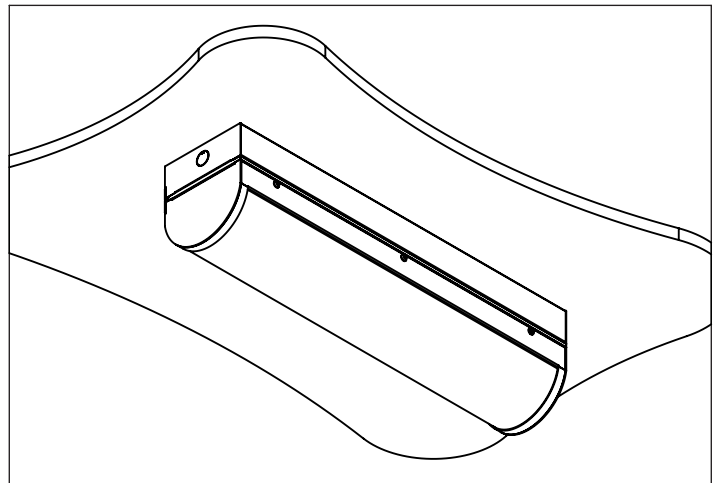


Figure 4

CEILING MOUNT

1. Remove screws to open fixture (Fig. 1)
2. Remove nuts and pull LED gear tray out of fixture. Remove necessary K.O. that best suits installation before mounting (Fig. 2)
3. Mount in desired location with mounting hardware (by others) (Fig. 3)
4. After making necessary electrical connections, re-attach LED gear tray and close fixture

Installer is responsible for adequately reinforcing walls and/or ceiling to support luminaire weight. These instructions do not claim to cover all details or variations in the equipment, procedure or process. Specifications and dimensions are subject to change.