

STAIRWELL TRES SERIES

STWL2-T/STWL4-T

FEATURES:

- Intended for Corridors, Stairways, Restrooms, Lobbies, Schools, and more
- Surface mount linear fixture available in 2ft and 4ft
- Cold rolled steel low-profile housing
- Frosted polycarbonate lens for even light distribution
- This product complies with the Buy American Act requirements



RELATED PRODUCTS:

- [Stairwell \(STWL\) Quick Ship Ordering Options](#)
- [Victory Narrow \(VICN\)](#)

SWTL2



SPECIFICATIONS

CONSTRUCTION: 22 gauge cold rolled steel internally reinforced housing.

LENS: .10 linear prismatic frosted polycarbonate lens for even light distribution.

LED: Available in three color temperatures 3500°K, 4000°K and 5000°K with maximum 3-step MacAdam variation allowance. Minimum 80 CRI standard.

FASTENERS: Stainless steel Phillips flat head screws. Raw unpainted screw finish.

ELECTRICAL: 0-10V dimming standard.

REFLECTOR: 22 gauge cold rolled steel in high reflective white finish.

FINISH: White powder coat finish following multistage iron phosphate pretreatment.

INSTALLATION: Surface wall mount installation. JBox and hardware by others.

WARRANTY: Limited five (5) year warranty.

LABEL: Fixture is certified to UL standards by Intertek Testing Laboratory for Damp Location.

This product complies with the Buy American Act requirements. Specifications and dimensions are subject to change without notice. For additional options and dimensional details, please consult your New Star Lighting representative.

STAIRWELL TRES SERIES

STWL2-T/STWL4-T

ORDERING INFORMATION

EXAMPLE: STWL2-T-L240-UN

SERIES	SIZE*	STYLE	LUMEN OUTPUT*	COLOR TEMP.	VOLTAGE
STWL	2 = 2ft 4 = 4ft	T	L2L = Low** L2 = Standard	35 = 3500°K 40 = 4000°K 50 = 5000°K	34 = 347V UN = Universal (120V-277V)

*Nominal Size.
Dimensional Data on
page 3.

*Subject to change. Performance
Data on page 3.
** L2L for STWL4 Only.

OPTIONS	ACCESSORY

EL1 = Emerg. Batt Low (800-1200lm)*

BB = Back Box*

EL2 = Emerg. Batt. High (1600-2000lm)*

CM = Corner Mount Bracket

OC = Internal Occupancy Sensor

SD2 = Step Dimming (50% - 100%)*

*Required for Emergency Battery.

SD3 = Step Dimming (30% - 70% - 100%)*

TH = Torx Head Screws with center pin

* Emerg Battery requires additional back box (must specify). Has integral push button test switch located on back box. Provided on an additional independent circuit.

** If SD2 and OC are ordered together, fixture operates at 50% when area is unoccupied. Fixture increases to 100% after motion is detected and reverts to 50% after time delay (set by user).

*** If SD3 and OC are ordered together, SD3 will be set at lowest dimming level unless otherwise specified. Fixture operates at 30% when area is unoccupied. Fixture increases to 100% after motion is detected and reverts to 30% after time delay (set by user). Consult factory for different configurations.

This product complies with the Buy American Act requirements. Specifications and dimensions are subject to change without notice. For additional options and dimensional details, please consult your New Star Lighting representative.

STAIRWELL TRES SERIES

STWL2-T/STWL4-T



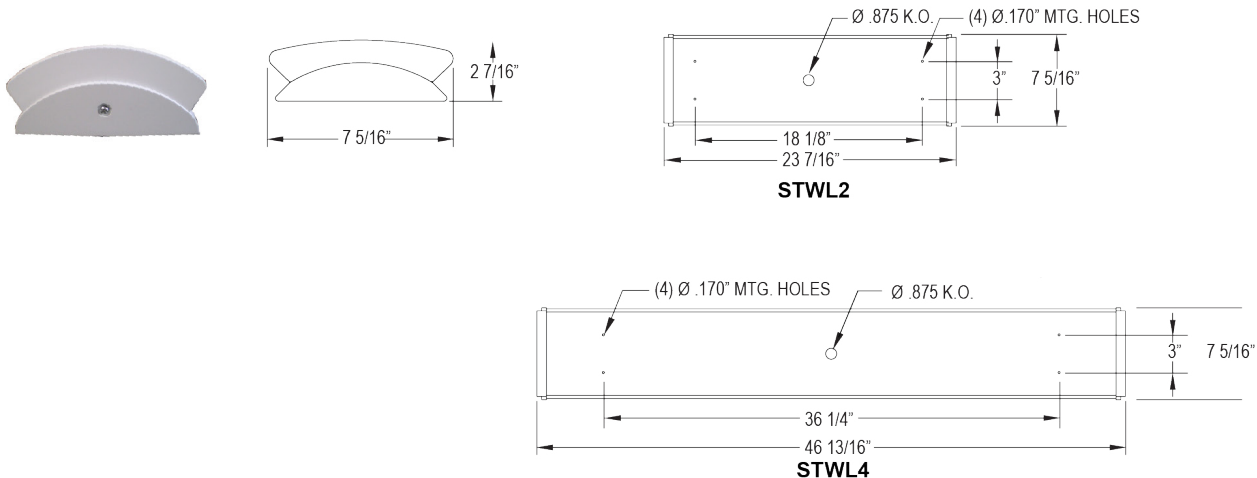
PERFORMANCE DATA*

*Data is with 80 CRI chip. LEDs are frequently updated therefore values may change without notice.

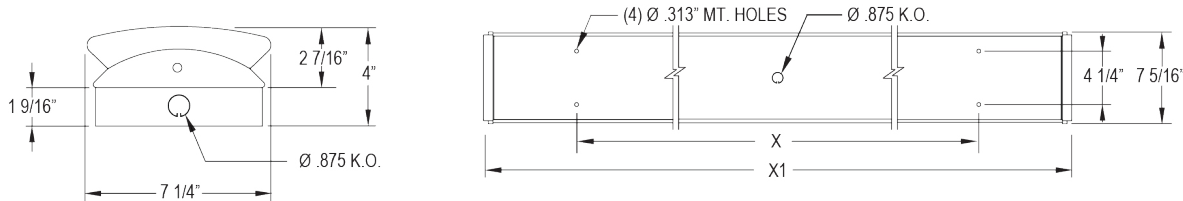
MODEL	OUTPUT	COLOR TEMP.	LUMENS DELIVERED	EFFICACY (lm/W)	INPUT POWER (W)
STWL2	L2 = Standard	4000°K	1500	100	15
STWL4	L2L = Low	4000°K	3440	86	40
	L2 = Standard	4000°K	5160	86	60

DIMENSIONAL DATA

Fixture weight varies and is dependent upon chosen specifications. Consult factory for additional information. Average weight of the STWL4 is 10lb.



OPTIONAL BACK BOX



Model	X	X1
STWL2	18"	23-7/16"
STWL4	36-1/4"	46-13/16"

This product complies with the Buy American Act requirements. Specifications and dimensions are subject to change without notice. For additional options and dimensional details, please consult your New Star Lighting representative.