

SUD SERIES LED

SUD2/SUD4

SPECIFICATION FEATURES

CONSTRUCTION: Die formed, seam welded, and ground smooth cold rolled steel or stainless-steel clamshell design. Incorporates a removable reflector unitized with all electrical components for easy installation and maintenance. Angled housing shape designed to withstand physical abuse.

BACKPLATE: Die formed with contraband drop slot and embossed mounting holes (material to match housing). Security caulking between ceiling and fixture is not required with this backplate design.

HINGE: 16 gauge full length continuous, staked piano hinge with welded ends to prevent removal (material to match housing).

LENS: Outer and Inner lens options secured by "Z" retainers with welded studs spaced six inches apart for maximum strength.

LED: Available in three color temperatures 3500°K, 4000°K and 5000°K with maximum 3-step MacAdam variation allowance. Other color temperatures available, consult factory. Minimum 80 CRI standard. 0-10V dimming available with 10-100% range and 1-100% range. Must specify dimming under options.

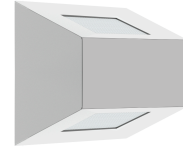
FASTENERS: Tamper resistant countersunk flat head Torx screws with center pin reject.

FINISH: White powder coat finish following multistage iron phosphate pre-treatment.

GASKET: Black neoprene gasket around door frame to prevent light leaks.

ORDERING INFORMATION

Example: SUD2-B-LA401C-A/C-UN



APPLICATIONS: Correctional, Detention Centers, High Abuse, Minimum/Maximum Security, Public Areas, Public Housing, Warehouses, and more.

MOUNTING: Surface wall installation. Hardware by others.

LABEL: Fixture is certified to UL standards by Intertek Testing Laboratories.



SERIES	SIZE	GAUGE	LUMEN OUTPUT*	COLOR TEMP.	CIRCUITS
SUD	2 = 2ft	B = 14Ga. CRS Painted	LA = 1 Up/1 Down	35 = 3500°K	1C = 1 Circuit
	4 = 4ft	C = 16Ga. CRS Painted	LB = 1 Up/2 Down	40 = 4000°K	2C = 2 Circuits
		D = 18Ga. CRS Painted	LC = 2 Up/2 Down	50 = 5000°K	
		E = 14Ga. SS Brushed	LD = 2 Up/1 Down		
		F = 16Ga. SS Brushed	LE = 0 Up/1 Down		
		G = 18Ga. SS Brushed	LF = 1 Up/0 Down		
		H = 14Ga. SS Painted			
		J = 16Ga. SS Painted			
		K = 18Ga. SS Painted			
		*Nominal Size. Dimensional Data on Page 2		*Subject to change. Performance Data on Page 2	

OUTER LENS	INNER LENS	VOLTAGE	OPTIONS
0 = No Lens	A = .125 Prismatic Acrylic	12 = 120V	DM = 0-10V dimming with 10-100% range
A = .125 Clear Poly.	B = .125 Prismatic Poly.	27 = 277V	DM1 = 0-10V dimming with 1-100% range
B = .156 Clear Poly.	C = .156 Prismatic Poly.	34 = 347V	FZ1 = Fuse (120V)
1 = .187 Clear Poly.	D = .187 Prismatic Poly.	UN = Universal	FZ2 = Fuse (277V)
2 = .250 Clear Poly.	E = .156 Prismatic Temp Glass	(120V-277V)	LN = LED Night Light* (3500°K)
3 = .375 Clear Poly.	F = .156 Prismatic Acrylic		EL1 = Emerg. Bat. LED Low**
4 = .500 Clear Poly.	G = .140 DR Acrylic		EL2 = Emerg. Bat. LED High**
5 = .187 Clear Temp Glass	LC3 = .125 White Frosted Poly.		UV = .005 UV Absorbing Overlay
6 = .250 Clear Temp Glass			AH = Allen Head screws with center pin reject
7 = .375 Clear Temp Glass*			SL = Flush Button Switch on Left (120V)
8 = .500 Clear Temp Glass*			SR = Flush Button Switch on Right (120V)
9 = .750 Clear Temp Glass*			

*Must use with 14Ga

* 3500°K Night Light with integrated switch allows light levels at 100%, 70%, 40% and 10%. Located in "Down" compartment.

**Consult factory for CA Title 24 options. Illuminates "Down" compartment with integral test switch.

Notes:
This product complies with the Buy American Act requirements. Specifications and dimensions are subject to change without notice. For additional options and dimensional details please consult your New Star Lighting Representative.

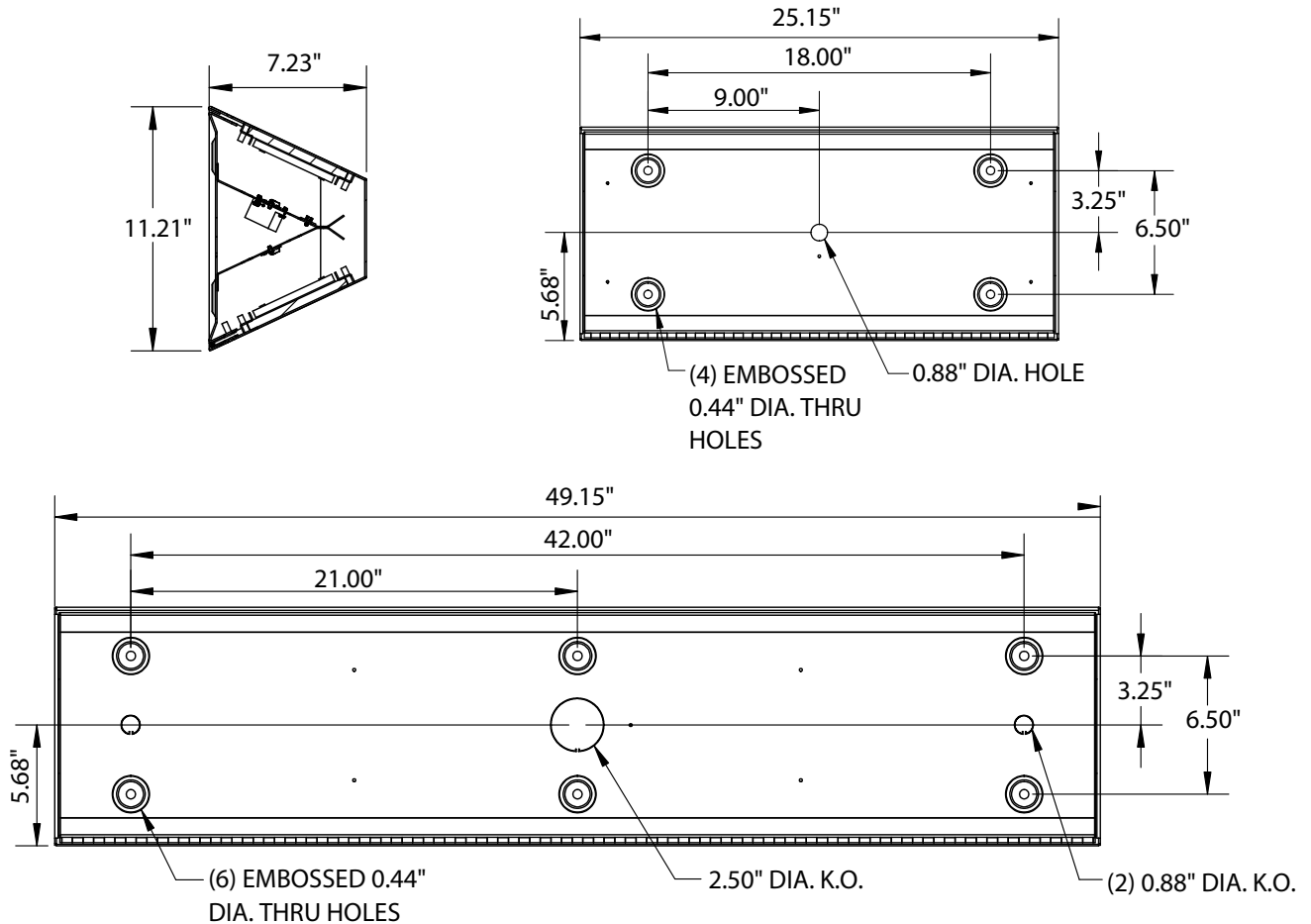
PERFORMANCE DATA*

MODEL	OUTPUT	COLOR TEMP.	LUMENS DELIVERED	EFFICACY (lm/W)	INPUT POWER (W)
SUD2	LA = 1 Up/1 Down	4000°K	2750	110	25
	LB = 1 Up/2 Down	4000°K	4125	110	37.5
	LC = 2 Up/2 Down	4000°K	5500	110	50
	LD = 2 Up/1 Down	4000°K	4125	110	37.5
	LE = 0 Up/1 Down	4000°K	1375	110	12.5
	LF = 1 Up/0 Down	4000°K	1375	110	12.5
SUD4	LA = 1 Up/1 Down	4000°K	5500	110	50
	LB = 1 Up/2 Down	4000°K	8250	110	75
	LC = 2 Up/2 Down	4000°K	11000	110	100
	LD = 2 Up/1 Down	4000°K	8250	110	75
	LE = 0 Up/1 Down	4000°K	2750	110	25
	LF = 1 Up/0 Down	4000°K	2750	110	25

*Subject to change without notice. Visit www.newstarlighting.com for additional information and IES files.

DIMENSIONAL DATA

Fixture weight varies and is dependent upon chosen specifications.
Average weight of the SUD2 is 30lb. Average weight of the SUD4 is 45lb. Consult factory for additional information.



Notes:
This product complies with the Buy American Act requirements. Specifications and dimensions are subject to change without notice.
For additional options and dimensional details please consult your New Star Lighting Representative.