

STARMED M1 LED

M1F22/M1U22

SPECIFICATION FEATURES

HOUSING: 20 gauge formed cold rolled steel housing seam welded and ground smooth. Aluminum and stainless steel options available.

FRAME: Inset 18 gauge formed cold rolled steel or stainless steel door frame. Optional 16 gauge aluminum.

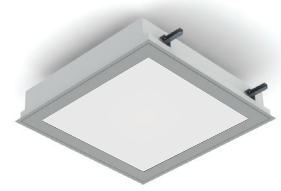
LENS: White frosted polycarbonate or acrylic lens for maximum light diffusion while maintaining proper exam lumen output.

LED: Available in three color temperatures 3500°K, 4000°K and 5000°K. Other color temperatures available, consult factory. 0-10V dimming available with 10-100% range and 1-100% range. Must specify dimming under options.

FASTENERS: Stainless steel Philips flat head screws with captive cage nuts. Finish to match doorframe.

FINISH: White antimicrobial powder coat finish following multistage iron phosphate pre-treatment.

GASKET: Closed cell EPDM and closed cell silicone gaskets prevent air contaminations from entering the fixture.



APPLICATIONS: Exam Rooms, Patient Rooms, Recovery Areas, Skilled Nursing, and more.

MOUNTING: Surface/Grid (U) or Flange installation. Flange fixtures supplied with swing arm system. Recessed install compatible with 1-1/2" and 15/16" Grid systems. Mounting for custom ceilings available, consult factory.

LABEL: Fixture is certified to UL standards by Intertek Testing Laboratory.



ORDERING INFORMATION

Example: M1U22-HC/IC-L4401C-E-UN-DM1

SERIES	MOUNTING	SIZE	HOUSING	INSET FRAME	LUMEN OUTPUT*	COLOR TEMP.
M1	U = Surface/Grid F = Flange	22 = 2x2 *Nominal Size. Dimensional Data on Page 2	HC = 20Ga. CRS Painted HS = 20Ga. SS Brushed HP = 20Ga. SS Painted HA = 16Ga. Alum. Painted	IC = 18Ga. CRS Painted IA = 16Ga. Alum Painted IB = 18Ga. SS Brushed IS = 18Ga. SS Painted	L4 = Low L6 = Standard L8 = High	35 = 3500°K 40 = 4000°K 50 = 5000°K

*Subject to change. Data on Page 2.

CIRCUITS	EXAM LENS	VOLTAGE	OPTIONS
1C = 1 Circuit 2C = 2 Circuits	E = .125 White Frost Poly. F = .125 White Frost Acrylic	12 = 120V 27 = 277V 34 = 347V UN = Universal (120V-277V)	FZ = Fuse DM = 0-10V dimming with 10-100% range DM1 = 0-10V dimming with 1-100% range FY = Yoke Bracket (Replaces swing arm) RF = (RIF) Radio Interference Filter TH = Torx Head screws (with center pin) EL1 = Emergency Battery pack (10W) LN = LED Night Light (3500°K)** 90C = 90 CRI

** Integrated switch allows light levels at 100%, 70%, 40% and 10%.

Notes:
Specifications and Dimensions are subject to change without notice.
For additional options and dimensional details please consult your New Star Lighting Representative.

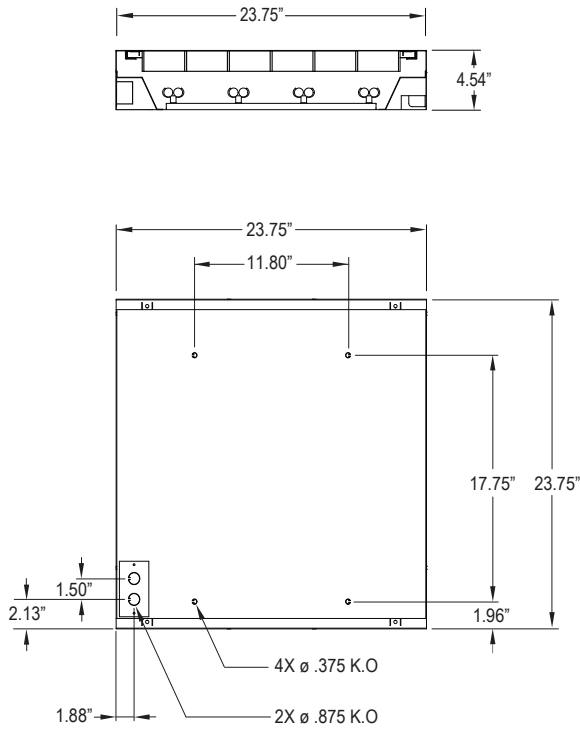
PERFORMANCE DATA*

MODEL	OUTPUT		LUMENS DELIVERED	EFFICACY (lm/W)	INPUT POWER (W)
M1	Low	3500°K	6000	120	50
		4000°K	6250	125	50
		5000°K	6500	130	50
	Standard	3500°K	8625	115	75
		4000°K	9000	120	75
		5000°K	9375	125	75
	High	3500°K	11500	115	100
		4000°K	12000	120	100
		5000°K	12500	125	100

*Note, M1 is out for updated photometry. Delivered lumens are subject to change.

DIMENSIONAL DATA

M1U22



M1F22

