

## STARTRANS LED SERIES

### STN4N/STN4W

#### FEATURES:

- Intended for Transportation Settings, Tunnel and Underpasses, Transportation Platforms, Stairways, Public Areas, and more
- Available in a 4ft wide or narrow version
- Surface installation
- Stainless steel construction for maximum durability and resistance to corrosion
- Fixture is certified to UL standards by Intertek Testing Laboratories for Wet Location (under covered ceiling). IP65 certified and tested for 5G vibration resistance
- This product was Made in America and complies with the Buy American Act requirements



STN4N

#### RELATED PRODUCTS:

- [Adler Dos Series](#)
- [Victory Narrow \(VICN\)](#)
- [Victory Wide \(VICW\)](#)



#### SPECIFICATIONS

**CONSTRUCTION:** Precision die-formed seam welded 16 gauge stainless steel (304 stainless steel) housing. Housing can have a #4 brushed finish or white powder coat finish following a multistage iron phosphate pre-treatment.

**HINGE:** Full length continuous staked stainless steel piano hinge with a #4 brushed finish.

**LENS:** .125 white polycarbonate lens for maximum diffusion.

**LED:** Available in three color temperatures 3500°K, 4000°K and 5000°K with maximum 3-step MacAdam variation allowance. Other color temperatures available, consult factory. Minimum 80 CRI standard.

**ELECTRICAL:** 0-10V dimming available with 1-100% range. Must specify dimming under options.

**FASTENERS:** Flat Head tamper resistant Torx Head fastener with center pin reject.

**GASKET:** Closed cell gasket with PSA on one side for housing and lens.

**OPERATING TEMP:** Suitable for installation into -40°C to 25°C ambient temperatures.

**INSTALLATION:** Surface installation. Hardware by others. Fixtures can be mounted end to end to create the look of a continuous row. Must specify number of units that will be row mounted at time of order for correct number of end cover plates. Standalone fixtures will have cover plates at both ends.

**WARRANTY:** [New Star Promise](#). Limited five (5) year warranty.

**LABEL:** Fixture is certified to UL standards by Intertek Testing Laboratories for Wet Location (under covered ceiling). IP65 certified and tested for 5G vibration resistance

## STARTRANS LED SERIES

### STN4N/STN4W

#### ORDERING INFORMATION

EXAMPLE: STN4N-ST40-WP-UN-BS

SERIES	STYLE	LUMEN OUTPUT*	COLOR TEMP.	LENS	VOLTAGE
<b>STN4</b>				<b>WP</b>	

N = Narrow	ST = Standard	35 = 3500°K	WP = White Poly.	12 = 120V
W = Wide	HG = High**	40 = 4000°K		27 = 277V
	CL = Custom Lumen Output***	50 = 5000°K		UN = Universal (120V-277V)

\*Subject to change. Performance Data on page 3.  
 \*\* HG for STN4W (Wide) only. N/A STN4N  
 \*\*\* Must be specified at time of quote. Must not exceed fixture maximum output. Must specify "DM1" if selecting dimming.

FINISH	OPTIONS	MOUNTING*

BS = Brushed SS	DM1 = 0-10V dimming with 1-100% range	Blank = Standard Surface (6 mounting holes)
SP = Painted SS	FZ1 = Fuse (120V)	RM = Row Mount**
	FZ2 = Fuse (277V)	
	RZ = Raceway*	

\*Consult factory for custom options.  
 \*\* Must specify number of fixtures being mounted end to end at time of order.

\*Consult factory for options

#### PERFORMANCE DATA\*

\*Displayed information is with a white polycarbonate lens with 80 CRI. LEDs are frequently updated therefore values may change without notice.

MODEL	OUTPUT	COLOR TEMP.	LUMENS DELIVERED	EFFICACY (lm/w)	INPUT POWER (W)
STN4N	ST = Standard	3500°K	4620	92	50
		4000°K	4810	96	50
		5000°K	5010	100	50
STN4W	ST = Standard	3500°K	5280	106	50
		4000°K	5500	110	50
		5000°K	5720	114	50
	HG = High	3500°K	8800	88	100
		4000°K	9170	92	100
		5000°K	9725	97	100

This product was Made in America and complies with the Buy American Act requirements. Specifications and dimensions are subject to change without notice. For additional options and dimensional details, please consult your New Star Lighting representative.

# STARTRANS LED SERIES

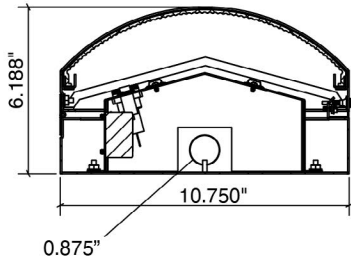
## STN4N/STN4W



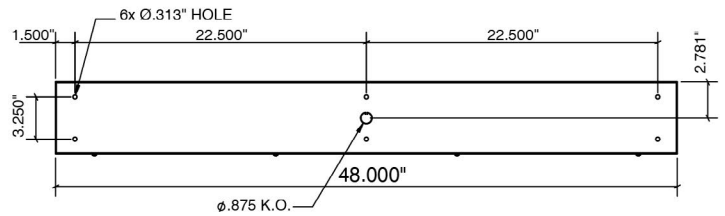
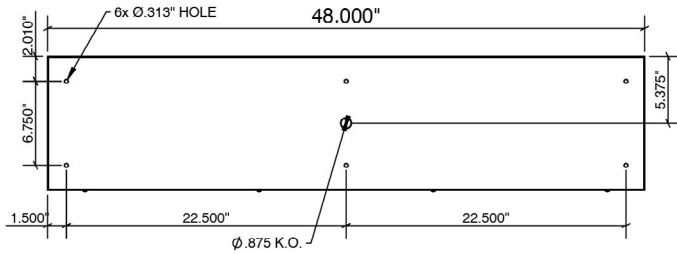
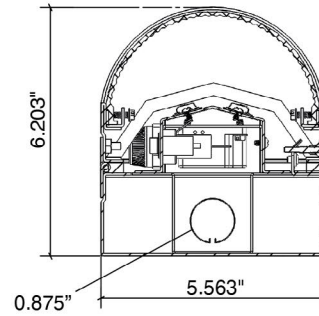
### DIMENSIONAL DATA

Fixture weight varies and is dependent upon chosen specifications. Consult factory for additional information. Average weight of the STN4W is 50lbs. The average weight of the STN4N is 40lbs.

STN4W



STN4N



This product was Made in America and complies with the Buy American Act requirements. Specifications and dimensions are subject to change without notice. For additional options and dimensional details, please consult your New Star Lighting representative.