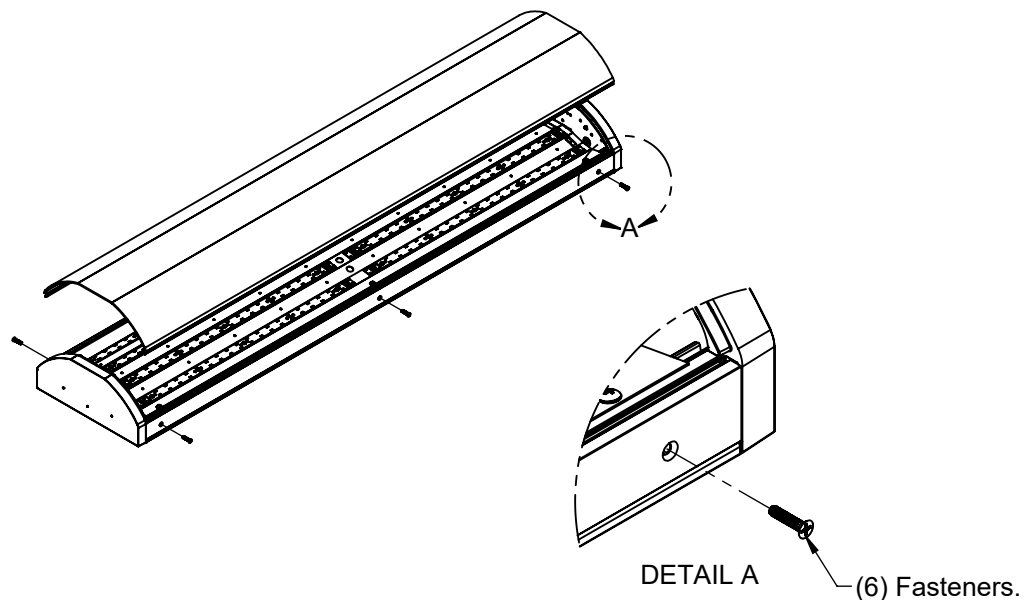


**IMPORTANT SAFE GUARDS:**

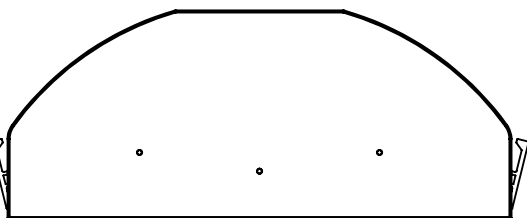
- THIS PRODUCT MUST BE INSTALLED IN ACCORDANCE WITH THE APPLICABLE INSTALLATION CODE BY A PERSON FAMILIAR WITH THE CONSTRUCTION AND OPERATION OF THE PRODUCT AND THE HAZARDS INVOLVED.
- DISCONNECT POWER BEFORE BEGINNING INSTALLATION.
- FIXTURE MUST BE INSTALLED IN COMPLIANCE WITH THE NATIONAL ELECTRIC CODE AND ANY LOCAL CODES.
- TO BE INSTALLED ONLY BY A QUALIFIED ELECTRICIAN.
- PROPER GROUNDING IS REQUIRED TO INSURE PERSONAL SAFETY.
- READ ALL FIXTURE MARKINGS AND LABELS TO ENSURE CORRECT INSTALLATION OF FIXTURE.
- RISK OF FIRE, USE A MINIMUM OF 90C SUPPLY CONNECTORS.

**SURFACE MOUNT INSTRUCTIONS:**

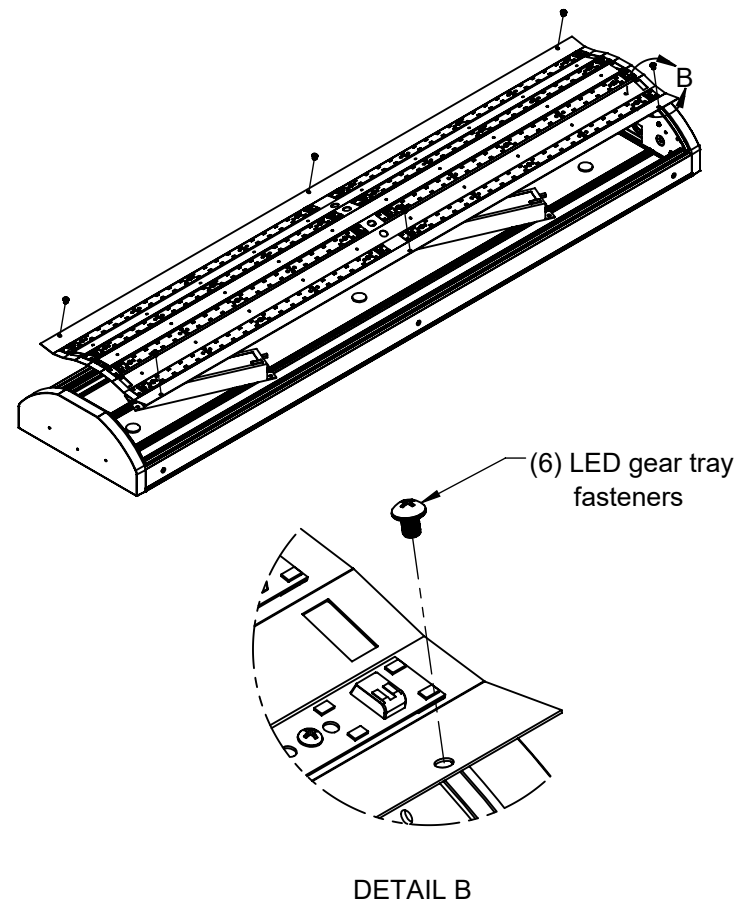
1. Remove housing fasteners and lens.



OPEN SIDE  
RAILS TO  
REMOVE  
LENS

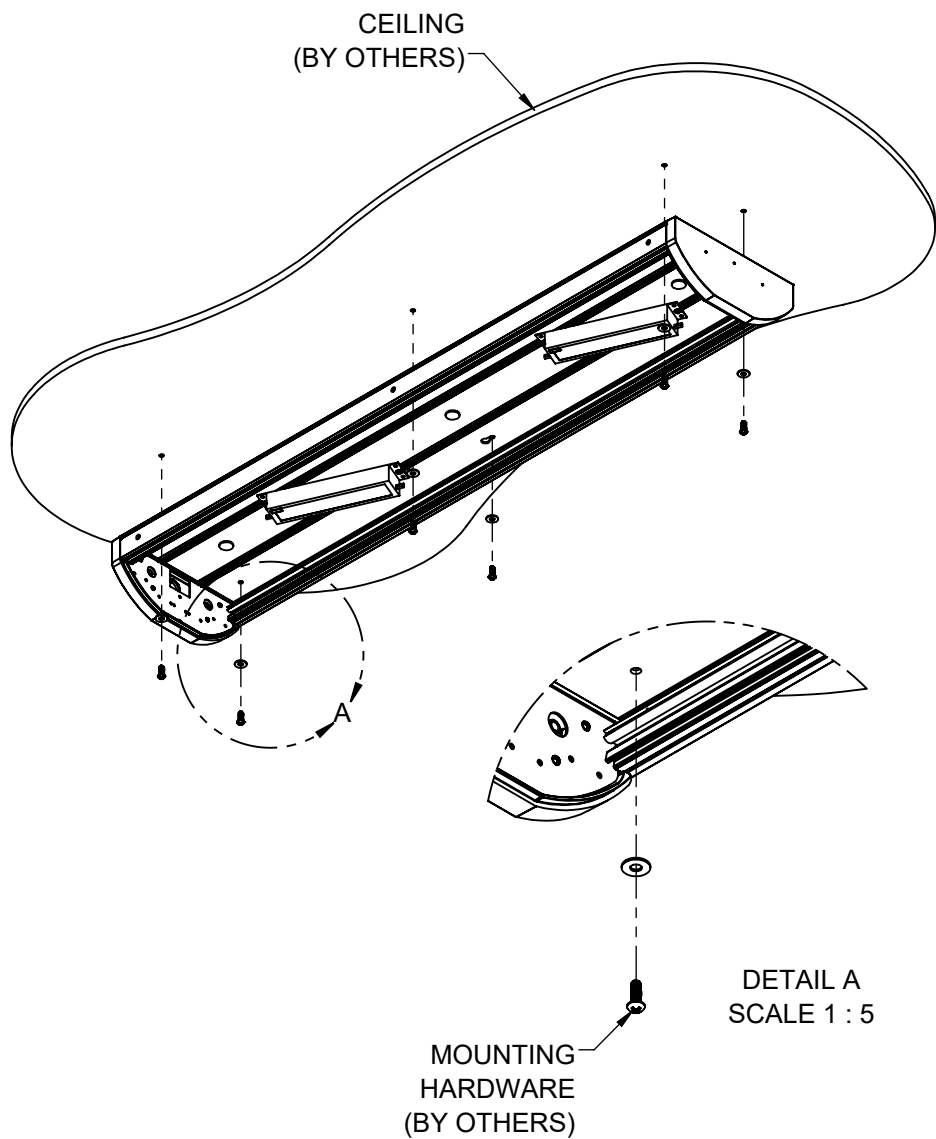


2. Remove LED gear tray fasteners.



DETAIL B

3. Remove desired K.O. and mount housing onto ceiling surface using appropriate hardware.



4. After making necessary connections, reattach LED gear tray and lens using hardware removed in previous steps.

