

WARN SERIES LED

WARN2/WARN4

SPECIFICATION FEATURES

HOUSING: Die formed, seam welded and ground smooth cold rolled steel or stainless steel. Incorporates a removable reflector unitized with all electrical components for easy installation and maintenance.

FRAME: Die formed one-piece frame with tightly closed corners (material and gauge to match housing).

HINGE: 16Ga. full length continuous, staked piano hinge, with welded ends, to prevent removal (material to match housing).

LED: Available in three color temperatures 3500°K, 4000°K, and 5000°K with maximum 3-step MacAdam variation allowance. Other color temperatures available, consult factory. Minimum 80 CRI standard. 0-10V dimming available with 10-100% range and 1-100% range. Must specify dimming under options.

LENS: Lens secured by 'Z' retainers with weld studs spaced six inches apart for maximum strength.

FASTENERS: Tamper resistant countersunk flat head Torx screws with center pin reject.

GASKET: Black neoprene gasket around doorframe to prevent light leaks.

FINISH: White powder coat finish following multistage iron phosphate pre-treatment.

ORDERING INFORMATION

Example: WARN2-B-L2401C-2/D-UN

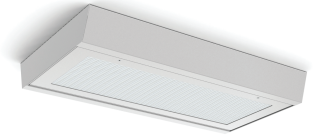
SERIES	SIZE	HOUSING	LUMEN OUTPUT*	COLOR TEMP.	CIRCUITS
WARN	2 = 2ft 4 = 4ft	B = 14Ga. CRS Painted C = 16Ga. CRS Painted D = 18Ga. CRS Painted E = 14Ga. SS Brushed F = 16Ga. SS Brushed G = 18Ga. SS Brushed H = 14Ga. SS Painted J = 16Ga. SS Painted K = 18Ga. SS Painted	L2 = Standard L3 = High	35 = 3500°K 40 = 4000°K 50 = 5000°K	1C = 1 Circuit 2C = 2 Circuits
	*Nominal Size. Dimensional Data on Page 2		*Subject to change. Data on Page 2.		

OUTER LENS	INNER LENS	VOLTAGE	OPTIONS
0 = No Lens 1 = .187 Clear Poly. 2 = .250 Clear Poly. 3 = .375 Clear Poly. 4 = .500 Clear Poly. 5 = .187 Clear Temp. Glass 6 = .250 Clear Temp. Glass 7 = .375 Clear Temp. Glass*	A = .125 Prismatic Acrylic B = .125 Prismatic Poly. C = .156 Prismatic Poly. D = .187 Prismatic Poly. E = .156 Prismatic Temp. Glass F = .156 Prismatic Acrylic G = .140 DR Prismatic Acrylic LC3 = .125 White Frosted Poly.	12 = 120V 27 = 277V 34 = 347V UN = Universal (120V-277V)	DM = 0-10V dimming with 10-100% range DM1 = 0-10V dimming with 1-100% range FZ1 = Fuse (120V) FZ2 = Fuse (277V) EL1 = Emerg. Bat. LED Low (1100-1250 lm)* EL2 = Emerg. Bat. LED High (1900-2000 lm)* SDM = Step Dimming Module LN = LED Night Light** AH = Allenhead Screw with Center Pin Reject TM = Tandem Mount WL = Wet Location (Covered Ceiling Only)

*Must use with 12Ga. or 14Ga.

*Consult factory for the CA Title 24 options

**3500°K Night Light with integrated switch allows light levels at 100%, 70%, 40% and 10%.



WARN2

APPLICATIONS: Minimum to Supermax Confinement, Psychiatric Wards, Public Housing, Detention Centers, Transportation, Athletic Facilities, and more.

MOUNTING: Surface installation. Hardware by others.

LABEL: Fixture is certified to UL standards.



WARN SERIES LED

WARN2/WARN4



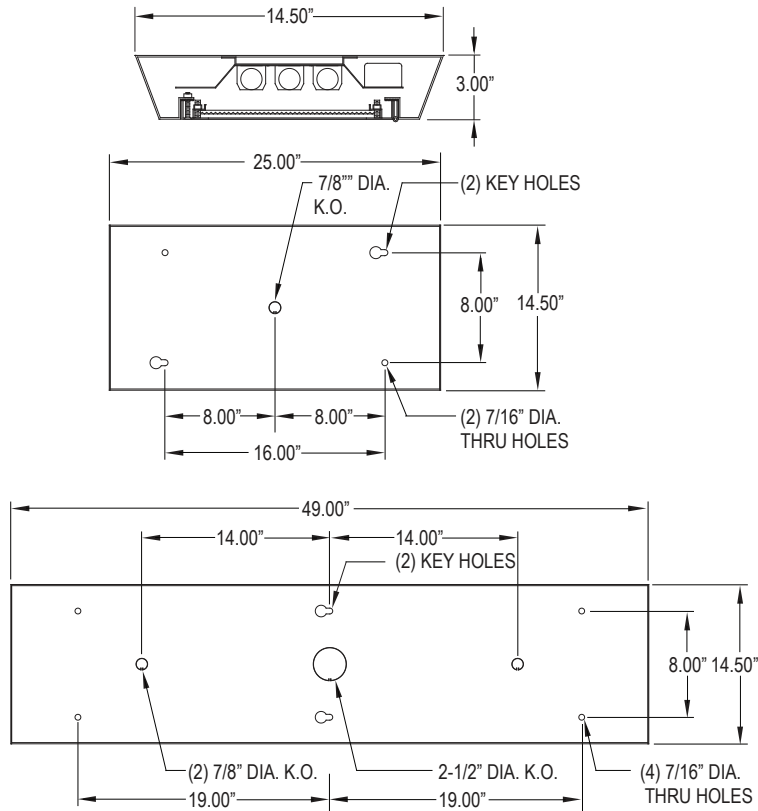
PERFORMANCE DATA*

MODEL	OUTPUT	COLOR TEMP.	LUMENS DELIVERED	EFFICACY (lm/W)	INPUT POWER (W)
WARN2	Standard (L2)	4000°K	2875	115	25
	High (L3)	4000°K	4315	115	37.5
WARN4	Standard (L2)	4000°K	5750	115	50
	High (L3)	4000°K	8625	115	75

* Displayed information is with a .187 clear polycarbonate outer lens/.125 prismatic acrylic inner lens.
LEDs are frequently updated therefore values may change without notice.
Visit www.newstarlighting.com for additional information and IES files.

DIMENSIONAL DATA

Fixture weight varies and is dependent upon chosen specifications. Consult factory for additional information.
Average weight of the WARN2 is 30lbs. Average weight of the WARN4 is 60lbs.



Notes:
This product is Made in America and complies with the Buy American Act requirements. Specifications and dimensions are subject to change without notice. For additional options and dimensional details please consult your New Star Lighting Representative.