

# WARRIOR N2-N4

## CONFINEMENT SERIES

SURFACE LUMINAIRE

NON-CLAMHELL DESIGN FOR MIN. TO MAX. SECURITY  
FLUORESCENT/LED

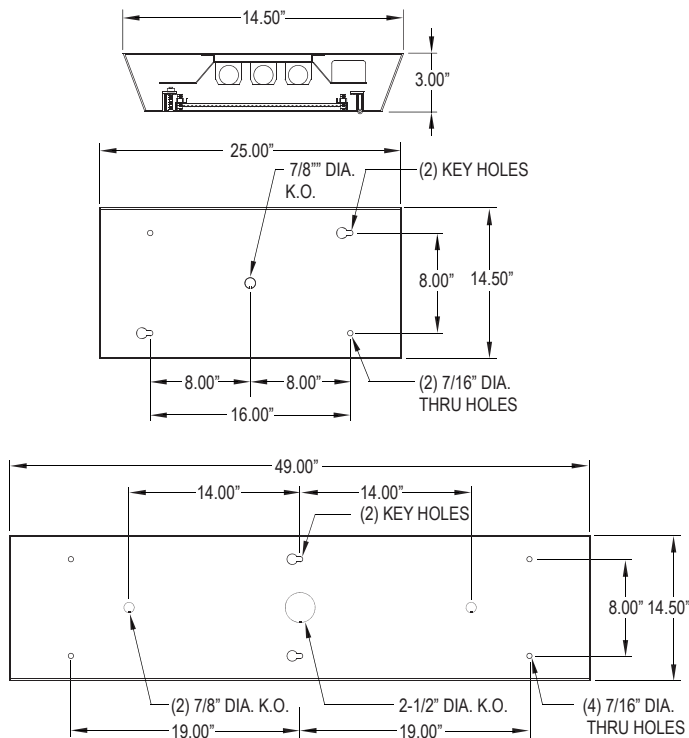


Made in America



PROJECT:
TYPE:
PRODUCT:
APPROVED:
DATE:

### DIMENSIONAL DATA



### FEATURES

The New Star "Warrior N2-N4" Confinement slope surface fixture is designed for security application where easy authorized access is a factor.

- 18-12 gauge die formed steel or stainless steel non-clam shell housing with full length continuous staked piano hinge with welded end.
- Maximum to super maximum security application
- Sloped side design increases strength and durability
- Wide variety of lens options held in place with Z-Channel and weld studs
- Torx head center pin screws standard
- Black neoprene gasket around door frame to prevent light leaks
- Optional wet location

### APPLICATION

- Confinement
- Psychiatric Wards
- Detention Centers
- Public Housing Complexes
- Transportation Applications
- Athletic Facilities
- Locker Rooms

### SPECIFICATION FEATURES

#### HOUSING:

Die formed, seam welded, and ground smooth (specify material and gauge). Incorporates a removable reflector unitized with all electrical components for easy installation and maintenance.

#### FRAME:

Die formed one-piece frame with tightly closed corners. (material and gauge to match housing).

#### HINGE:

16 gauge full length continuous, staked piano hinge, with welded ends. to prevent removal (material to match housing).

#### LENS / LENS RETENTION:

Lens per specification (see options) and secured by "Z" retainers with weld studs spaced six inches apart for maximum strength.

#### ELECTRONICS:

Fluorescent:  
Electronic Ballast <10% THD standard. RIF available. Lamps by others.

#### LED: Constant current

Available in three standard color temperatures 3500°K, 4000°K & 5000°K. Other color temperatures available, consult factory.

#### LED NIGHT LIGHT:

Integrated switch allows light selection at 100%, 70%, 40% and 10% levels

#### GASKET:

Black neoprene gasket around door frame to prevent light leaks

#### FASTENERS:

Tamper resistant countersunk, flat head Torx screws with center pin reject

#### FINISH:

White powdercoat finish following an iron phosphate pre-treatment.

#### LABEL:



### ORDERING INFORMATION

Product Family	Gauge	# of Lamps	Lamp Type	# of Ballasts/Drivers
<b>WARN_</b>				
<b>WARN2</b> 14-1/2" x 25" x 3"	B = 14 Ga. CRS C = 16 Ga. CRS D = 18 Ga. CRS E = 14 Ga. SS (Brushed) F = 16 Ga. SS (Brushed)	Fluorescent WARN2-WARN4: 1 = 1 Lamp 2 = 2 Lamp 3 = 3 Lamp	LED WARN2: L2 = LED 2 Row (25W) L3 = LED 3 Row (37.5W) WARN4: L2 = LED 2 Row (50W) L3 = LED 3 Row (75W)	Fluorescent: 1 = 1 Ballast 2 = 2 Ballast
<b>WARN4</b> 14-1/2" x 49" x 3"	G = 18 Ga. SS (Brushed) H = 14 Ga. SS (Painted) J = 16 Ga. SS (Painted) K = 18 Ga. SS (Painted)		LED: 35 = White 3500°K 40 = White 4000°K 50 = White 5000°K	LED: 1 = Driver 2 = Driver
			WARN 17 = Linear 17W T8 14 = Linear 14W T5 24 = Linear 24W T5 HO 40 = 40 Twin 2Gx11 (2 lamp only) WARN4 32 = 32W T8 28 = 28W T5 54 = 54W T5 HO	

Outer Lens	Inner Lens	Voltage	Options
Ø = No Lens A = .125 Clear Polycarbonate B = .156 Clear Polycarbonate 1 = .187 Clear Polycarbonate 2 = .250 Clear Polycarbonate 3 = .375 Clear Polycarbonate. 5 = .187 Clear Temp. Glass 6 = .250 Clear Temp. Glass 7 = .375 Clear Temp. Glass ^	Ø = No Lens A = .125 Pris. Acrylic B = .125 Pris. Polycarbonate C = .156 Pris. Polycarbonate D = .187 Pris. Polycarbonate E = .156 Pris. Temp. Glass F = .156 Pris. Acrylic G = .140 DR Acrylic LC3 = .125 White Frosted Polycarbonate	12 = 120V 27 = 277V 34 = 347V ■ UN = Universal (120V-277V)	DB = Dimming Ballast (0-10V) *◆ DM = Dimming Driver (0-10V) SDM = Step Dimming Module PR = Program Rapid Start FZ = Fuse * NL = Fluorescent Night Light * LN = LED Night Light. Consult factory for available color/temperatures AH = Allenhead Screws with center pin reject E1 = Emerg. Bat. Pack (450 Lumens) *◆◆ E2 = Emerg. Bat. Pack (1100 Lumens) *◆◆ EL1= Emerg. Bat. LED Low EL2= Emerg. Bat. LED High TH = Torx Head screws (with center pin) TM = Tandem Mount WL = Wet Location UV = .005 UV Absorbing Overlay RGT = Removable Gear Tray

\* Cannot use with universal voltage option  
^ Must Use 12 or 14 Gauge Frame

◆ Consult factory for T5 availability  
■ Consult factory for lamp-ballast options  
◆ Not available in LED



Notes:  
Specifications and Dimensions are subject to change without notice. For additional options and dimensional details please consult your New Star Lighting Representative. For specific electronic ballast, specify brand and catalog number.

Based on a .125 Clear Polycarbonate outer lens / .125 Prismatic Acrylic Inner lens

# LED BOARDS	# ROWS	WATTAGE	EFFICACY (lm/W)	DELIVERED LUMENS
--------------	--------	---------	-----------------	------------------

**WARN2:**

L2	2 Rw	(25.0W)	115	2,875 LMS
L3	3 Rw	(37.5W)	115	4,315 LMS

**WARN4:**

L2	2 Rw	(50.0W)	115	5,750 LMS
L3	3 Rw	(75.0W)	115	8,625 LMS

TAKE AN ADDITIONAL 20% OFF DELEIVERED LUMENS WHEN SPECIFYING THE LC3 LENS